

EXA 系列-防爆不锈钢接头说明书

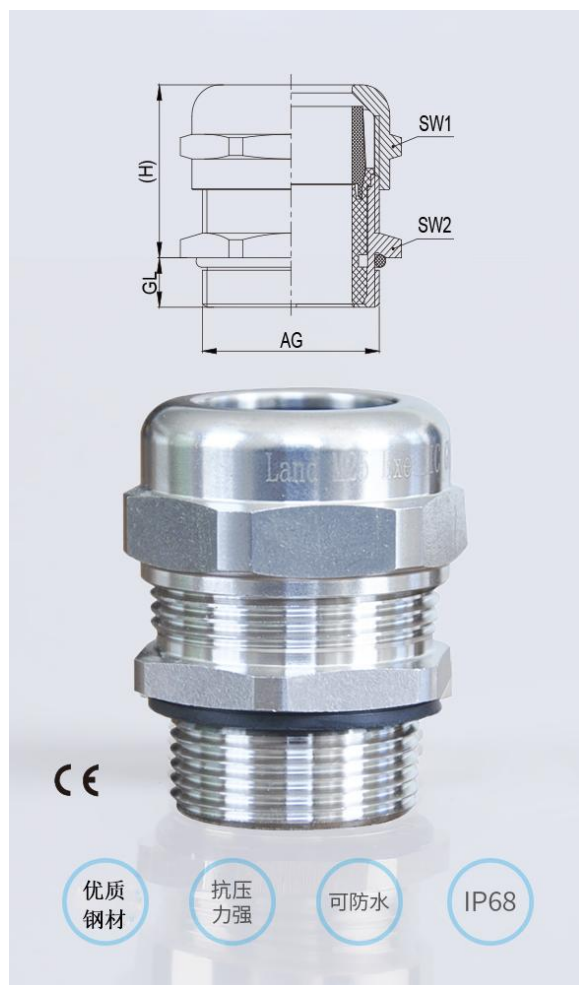
Exa series - explosion proof cable connector instructions

- **产品材料:** 默认 304, 可选 316 及 316L, 密封件为 EPDM 橡胶
- **防护等级:** 规定卡口范围内, 配合密封圈, 防护等级可达 IP68
- **工作温度:** 测试 -40° ~105° 零件无损坏且保障设备正常运转
- **阻燃等级:** UL94V-2, 可定制 V0 级阻燃
- **产品性能:** 符合 Exe 增安及 ExtD 粉尘防爆, 耐腐蚀性能优越
- **订购说明:** 默认不附螺母, 如需 316 或 316L 材质, 请将型号后缀 “SS” 变更为 “S316” 或 “S316L”

☆特别提示: 型号栏带*为非标产品, 可能无库存或只有少量库存

- **Materials:** 304. Can choose 316 and 316L are optional, And the seal is EPDM
- **Waterproof:** Within the clamping range, The waterproof grade can reach IP68
- **Temperature:** -40° ~105° , Short-term 120°
- **fire prevention:** UL94V-2, Customizable V0
- **performance:** Comply with Exe and extd explosion-proof and corrosion resistance
- **Ordering Information:** Without nut, if 316 is required, please change the rear model Ss to s316

☆Special tips: The * in front of the model is a special product. There may be no or only a small amount of stock. You need to order in advance



公制 M 螺纹/Metric thread

蓝江产品型号	螺纹规格	电缆范围	建议开孔	螺纹长度	扳手尺寸	包装数量
Product model	Thread size	Cable range	Opening size	Thread length	Wrench Size	quantity
PN.	Metric	Φ mm	AG mm	GL mm	nut/cap mm	Pcs/bag
MG12S-06-SS	M12×1.5	3~6	12.5	7	15/14	50
MG12-08-SS	M12×1.5	4~8	12.5	9	15/17	50
MG12-05-SS	M12×1.5	3~5.5	12.5	9	15/17	50
MG12-6.7-SS	M12×1.5	3~6.7	12.5	9	15/17	50
MG12-6.5-SS	M12×1.5	3~6.5	12.5	9	15/17	50
MG12-3.2-SS	M12×1.5	2~3.2	12.5	9	15/17	50
MG14-08-SS	M14×1.5	4~8	14.5	9	17/17	50
MG14-05-SS	M14×1.5	3~5.5	14.5	9	17/17	50
MG14-3.2-SS	M14×1.5	2~3.2	14.5	9	17/17	50

蓝江产品型号	螺纹规格	电缆范围	建议开孔	螺纹长度	扳手尺寸	包装数量
Product model	Thread size	Cable range	Opening size	Thread length	Wrench Size	quantity
PN.	Metric	φ mm	AG mm	GL mm	nut/cap mm	Pcs/bag
MG16S-08-SS	M16×1.5	4~8	16.5	9.5	20/17	50
MG16S-05-SS	M16×1.5	3~5.5	16.5	9.5	20/17	50
MG16S-6.7-SS	M16×1.5	3~6.7	16.5	9.5	20/17	50
MG16S-6.5-SS	M16×1.5	3~6.5	16.5	9.5	20/17	50
MG16S-3.2-SS	M16×1.5	2~3.2	16.5	9.5	20/17	50
MG16-10-SS	M16×1.5	6~10	16.5	9.5	20/21	50
MG16-07-SS	M16×1.5	4~7	16.5	9.5	20/21	50
MG16-05-SS	M16×1.5	3~5	16.5	9.5	20/21	50
MG16-04-SS	M16×1.5	2~4.3	16.5	9.5	20/21	50
MG18-10-SS	M18×1.5	6~10	18.5	9.5	21/21	50
MG18-07-SS	M18×1.5	4~7	18.5	9.5	21/21	50
MG18-05-SS	M18×1.5	3~5	18.5	9.5	21/21	50
MG18-04-SS	M18×1.5	2~4.3	18.5	9.5	21/21	50
MG20-16-SS	M20×1.5	11~16	20.5	12	24/27	50
MG20-14-SS	M20×1.5	8~14	20.5	12	24/26	50
MG20-12-SS	M20×1.5	8~12	20.5	12	24/26	50
MG20-06-SS	M20×1.5	3~6.5	20.5	12	24/26	50
MG20S-12-SS	M20×1.5	7~12	20.5	12	24/24	50
MG20S-11-SS	M20×1.5	6~11	20.5	12	24/24	50
MG20S-09-SS	M20×1.5	5~9	20.5	12	24/24	50
MG20X-08-SS	M20×1.5	4~8	20.5	12	24/18	50
MG20X-05-SS	M20×1.5	3~5.5	20.5	12	24/18	50
MG20X-6.7-SS	M20×1.5	3~6.7	20.5	12	24/18	50
MG20X-6.5-SS	M20×1.5	3~6.5	20.5	12	24/18	50
MG20X-3.2-SS	M20×1.5	2~3.2	20.5	12	24/18	50
*MG21-14-SS	M21×1.5	8~14	20.5	12	26/26	50
*MG21-12-SS	M21×1.5	8~12	20.5	12	26/26	50
*MG21-06-SS	M21×1.5	3~6.5	20.5	12	26/26	50
MG22-14-SS	M22×1.5	8~14	22.5	12	26/26	50
MG22-12-SS	M22×1.5	8~12	22.5	12	26/26	50
MG22-06-SS	M22×1.5	3~6.5	22.5	12	26/26	50
*MG23-14-SS	M23×1.5	8~14	23.5	12	26/26	50
MG24-14-SS	M24×1.5	8~14	24.5	10.5	28/26	50

蓝江产品型号	螺纹规格	电缆范围	建议开孔	螺纹长度	扳手尺寸	包装数量
Product model	Thread size	Cable range	Opening size	Thread length	Wrench Size	quantity
PN.	Metric	φ mm	AG mm	GL mm	nut/cap mm	Pcs/bag
MG24-12-SS	M24×1.5	8~12	24.5	10.5	28/26	50
MG24-06-SS	M24×1.5	3~6.5	24.5	10.5	28/26	50
MG25-18-SS	M25×1.5	13~18	25.5	12	30/31	50
MG25-16-SS	M25×1.5	12~16	25.5	12	30/31	50
MG25-14-SS	M25×1.5	8~14	25.5	12	30/31	50
MG25-13-SS	M25×1.5	7~13	25.5	12	30/31	50
MG25-10-SS	M25×1.5	6~10	25.5	12	30/31	50
MG25S-12-SS	M25×1.5	6~12	25.5	12	30/24	50
MG25S-11-SS	M25×1.5	6~11	25.5	12	30/24	50
MG25S-09-SS	M25×1.5	5~9	25.5	12	30/24	50
*MG26-18-SS	M26×1.5	13~18	26.5	12	30/31	50
*MG26-16-SS	M26×1.5	12~16	26.5	12	30/31	50
*MG26-14-SS	M26×1.5	8~14	26.5	12	30/31	50
MG27-18-SS	M27×1.5/2.0	13~18	27.5	12	30/31	50
MG27-16-SS	M27×1.5/2.0	12~16	27.5	12	30/31	50
MG27-14-SS	M27×1.5/2.0	8~14	27.5	12	30/31	50
MG27-10-SS	M27×1.5/2.0	6~10	27.5	12	30/31	50
MG30-25-SS	M30×1.5/2.0	18~25	30.5	12.5	34/40	50
MG30-22-SS	M30×1.5/2.0	17~22	30.5	12.5	34/40	50
MG30-18-SS	M30×1.5/2.0	13~18	30.5	12.5	34/31	50
MG30-16-SS	M30×1.5/2.0	12~16	30.5	12.5	34/31	50
MG30-14-SS	M30×1.5/2.0	8~14	30.5	12.5	34/31	50
MG30-10-SS	M30×1.5/2.0	6~10	30.5	12.5	34/31	50
MG32-25-SS	M32×1.5	18~25	32.5	12.5	38/40	20
MG32-22-SS	M32×1.5	17~22	32.5	12.5	38/40	20
MG32S-18-SS	M32×1.5	13~18	32.5	12	38/31	20
MG32S-16-SS	M32×1.5	12~16	32.5	12	38/31	20
MG32S-14-SS	M32×1.5	8~14	32.5	12	38/31	20
MG32S-10-SS	M32×1.5	6~10	32.5	12	38/31	20
MG33-25-SS	M33×2.0	18~25	33.5	14.5	38/40	20
MG33-22-SS	M33×2.0	17~22	33.5	14.5	38/40	20
MG36-25-SS	M36×1.5/2.0	18~25	36.5	13	42/40	20
MG36-22-SS	M36×1.5/2.0	17~22	36.5	13	42/40	20

蓝江产品型号	螺纹规格	电缆范围	建议开孔	螺纹长度	扳手尺寸	包装数量
Product model	Thread size	Cable range	Opening size	Thread length	Wrench Size	quantity
PN.	Metric	φ mm	AG mm	GL mm	nut/cap mm	Pcs/bag
MG40-31-SS	M40×1.5/2.0	25~31	40.5	14	48/50	10
MG40-25-SS	M40×1.5/2.0	18~25	40.5	14	48/50	10
MG40S-25-SS	M40×1.5	18~25	40.5	14	48/40	10
MG40S-22-SS	M40×1.5	17~22	40.5	14	48/40	10
MG42-31-SS	M42×2.0	25~31	42.5	15	48/50	10
MG42-25-SS	M42×2.0	18~25	42.5	15	48/50	10
MG48-31-SS	M48×2.0	25~31	48.5	15	58/50	10
MG48-25-SS	M48×2.0	18~25	48.5	15	58/50	10
MG50-41-SS	M50×1.5	33~41	50.5	15	58/60	10
MG50-33-SS	M50×1.5	25~33	50.5	15	58/60	10
MG50S-31-SS	M50×1.5	25~31	50.5	15	54/50	10
MG50S-25-SS	M50×1.5	18~25	50.5	15	54/50	10
*MG56-44-SS	M56×2.0	36~44	56.5	15	71/65	5
MG60-44-SS	M60×2.0	36~44	60.5	15	71/65	1
MG63-54-SS	M63×1.5	46~54	63.5	15	71/76	1
MG63-46-SS	M63×1.5	38~46	63.5	15	71/76	1
MG63S-44-SS	M63×1.5	36~44	63.5	15	71/65	1
MG64-54-SS	M64×2.0	46~54	64.5	15	71/76	1
MG64-46-SS	M64×2.0	38~46	64.5	15	71/76	1
MG64-44-SS	M64×2.0	36~44	64.5	15	71/65	1
*MG68-54-SS	M68×2.0	46~54	68.5	15	75/75	1
MG72-66-SS	M72×2.0	60~66	72.5	15.5	80/85	1
MG72-62-SS	M72×2.0	56~62	72.5	15.5	80/85	1
MG72-56-SS	M72×2.0	50~56	72.5	15.5	80/85	1
MG72S-54-SS	M72×2.0	46~54	72.5	15	80/75	1
MG75-66-SS	M75×2.0	60~66	75.5	15.5	80/85	1
MG75-62-SS	M75×2.0	56~62	75.5	15.5	80/85	1
MG75-56-SS	M75×2.0	50~56	75.5	15.5	80/85	1
MG90-77-SS	M90×2.0	70~77	90.5	20	95/103	1
MG90-68-SS	M90×2.0	60~68	90.5	20	95/103	1

德制 PG 牙/PG thread

蓝江产品型号	螺纹规格	电缆范围	建议开孔	螺纹长度	扳手尺寸	包装数量
Product model	Thread size	Cable range	Opening size	Thread length	Wrench Size	quantity
PN.	PG	mm	mm	mm	nut/cap mm	Pcs/bag
PG7S-06-SS	PG7	3~6	13	9	15/14	50
PG7-08-SS	PG7	4~8	13	9	15/17	50
PG7-05-SS	PG7	3~5.5	13	9	15/17	50
PG7-03-SS	PG7	2~3.2	13	9	15/17	50
PG9-08-SS	PG9	4~8	15.5	9	17/17	50
PG9-05-SS	PG9	3~5.5	15.5	9	17/17	50
PG9-3.2-SS	PG9	2~3.2	15.5	9	17/17	50
PG11-10-SS	PG11	6~10	19	9.5	21/21	50
PG11-07-SS	PG11	4~7	19	9.5	21/21	50
PG11-05-SS	PG11	3~5	19	9.5	21/21	50
PG13.5-14-SS	PG13.5	8~14	21	10.5	24/26	50
PG13.5-12-SS	PG13.5	7~12	21	10.5	24/24	50
PG13.5-11-SS	PG13.5	6~11	21	10.5	24/24	50
PG13.5-09-SS	PG13.5	5~9	21	10.5	24/24	50
PG16-14-SS	PG16	8~14	23	12	26/26	50
PG16-12-SS	PG16	8~12	23	12	26/26	50
PG16-06-SS	PG16	3~6.5	23	12	26/26	50
PG19-14-SS	PG19	8~14	24.5	10.5	28/26	50
PG21-18-SS	PG21	13~18	28.5	12	32/31	50
PG21-16-SS	PG21	12~16	28.5	12	32/31	50
PG21-14-SS	PG21	8~14	28.5	12	32/31	50
PG21-10-SS	PG21	6~10	28.5	12	32/31	50
PG25-18-SS	PG25	13~18	30.2	12.5	34/31	50
PG25-16-SS	PG25	12~16	30.2	12.5	34/31	50
PG29-25-SS	PG29	18~25	37.2	12.5	40/40	20
PG29-22-SS	PG29	17~22	37.2	12.5	40/40	20
PG36-31-SS	PG36	25~31	47.5	15	58/50	10
PG36-25-SS	PG36	18~25	47.5	15	58/50	10
PG42-41-SS	PG42	33~41	54.5	15	60/60	10
PG42-33-SS	PG42	25~33	54.5	15	60/60	10
PG48-44-SS	PG48	36~44	60	15	71/65	1

英制 G(PF)管牙/ G(PF) pipe thread

蓝江产品型号	螺纹规格	电缆范围	建议开孔	螺纹长度	扳手尺寸	包装数量
Product model	Thread size	Cable range	Opening size	Thread length	Wrench Size	quantity
PN.	G(PF)	mm	mm	mm	nut/cap mm	Pcs/bag
G1/4-08-SS	G1/4	4~8	13.5	9	17/17	50
G1/4-05-SS	G1/4	3~5.5	13.5	9	17/17	50
G1/4-6.7-SS	G1/4	3~6.7	13.5	9	17/17	50
G1/4-6.5-SS	G1/4	3~6.5	13.5	9	17/17	50
G1/4-3.2-SS	G1/4	2~3.2	13.5	9	17/17	50
G3/8-10-SS	G3/8	6~10	16.6	9.5	21/21	50
G3/8-07-SS	G3/8	4~7	16.6	9.5	21/21	50
G3/8-05-SS	G3/8	3~5	16.6	9.5	21/21	50
G3/8-04-SS	G3/8	2~4.3	16.6	9.5	21/21	50
G1/2-16-SS	G1/2	11~16	21	12	24/27	50
G1/2-14-SS	G1/2	8~14	21	12	24/26	50
G1/2-12-SS	G1/2	7~12	21	12	24/24	50
G1/2-11-SS	G1/2	6~11	21	12	24/24	50
G1/2-09-SS	G1/2	5~9	21	12	24/24	50
G3/4-18-SS	G3/4	13~18	26.6	12	30/31	50
G3/4-16-SS	G3/4	12~16	26.6	12	30/31	50
G3/4-14-SS	G3/4	8~14	26.6	12	30/31	50
G3/4-10-SS	G3/4	6~10	26.6	12	30/31	50
G1-25-SS	G1	18~25	33.5	15	38/40	20
G1-22-SS	G1	17~22	33.5	15	38/40	20
G1-1/4-31-SS	G1-1/4	25~31	42	15	48/50	10
G1-1/4-25-SS	G1-1/4	18~25	42	15	48/50	10
G1-1/2-41-SS	G1-1/2	33~41	48	15	55/60	10
G1-1/2-33-SS	G1-1/2	25~33	48	15	55/60	10
G1-1/2-31-SS	G1-1/2	25~31	48	15	55/50	10
G1-1/2-25-SS	G1-1/2	18~25	48	15	55/50	10
G2-44-SS	G2	36~44	60	15	71/65	1

美制 NPT 锥牙/ NPT Taper pipe thread

蓝江产品型号	螺纹规格	电缆范围	建议开孔	螺纹长度	扳手尺寸	包装数量
Product model	Thread size	Cable range	Opening size	Thread length	Wrench Size	quantity
PN.	NPT	mm	mm	mm	nut/cap mm	Pcs/bag
NPT1/4-08-SS	NPT1/4	4~8	13.5	9	17/17	50
NPT1/4-05-SS	NPT1/4	3~5.5	13.5	9	17/17	50
NPT1/4-6.7-SS	NPT1/4	3~6.7	13.5	9	17/17	50
NPT1/4-6.5-SS	NPT1/4	3~6.5	13.5	9	17/17	50
NPT1/4-3.2-SS	NPT1/4	2~3.2	13.5	9	17/17	50
NPT3/8-10-SS	NPT3/8	6~10	16.6	10	21/21	50
NPT3/8-07-SS	NPT3/8	4~7	16.6	10	21/21	50
NPT3/8-05-SS	NPT3/8	3~5	16.6	10	21/21	50
NPT3/8-04-SS	NPT3/8	2~4.3	16.6	10	21/21	50
NPT1/2-16-SS	NPT1/2	11~16	21	13	24/27	50
NPT1/2-14-SS	NPT1/2	8~14	21	13	24/26	50
NPT1/2-12-SS	NPT1/2	7~12	21	11	24/24	50
NPT1/2-11-SS	NPT1/2	6~11	21	11	24/24	50
NPT1/2-09-SS	NPT1/2	5~9	21	11	24/24	50
NPT3/4-18-SS	NPT3/4	13~18	26.6	13	30/31	50
NPT3/4-16-SS	NPT3/4	12~16	26.6	13	30/31	50
NPT3/4-14-SS	NPT3/4	8~14	26.6	13	30/31	50
NPT3/4-10-SS	NPT3/4	6~10	26.6	13	30/31	50
NPT1-25-SS	NPT1	18~25	33.5	15	38/40	20
NPT1-22-SS	NPT1	17~22	33.5	15	38/40	20
NPT1-1/4-31-SS	NPT1-1/4	25~31	42	15	48/50	10
NPT1-1/4-25-SS	NPT1-1/4	18~25	42	15	48/50	10
NPT1-1/2-41-SS	NPT1-1/2	33~41	48	15	55/60	10
NPT1-1/2-33-SS	NPT1-1/2	25~33	48	15	55/60	10
NPT1-1/2-31-SS	NPT1-1/2	25~31	48	15	55/50	10
NPT1-1/2-25-SS	NPT1-1/2	18~25	48	15	55/50	10
NPT2-44-SS	NPT2	36~44	60	15	71/65	1