

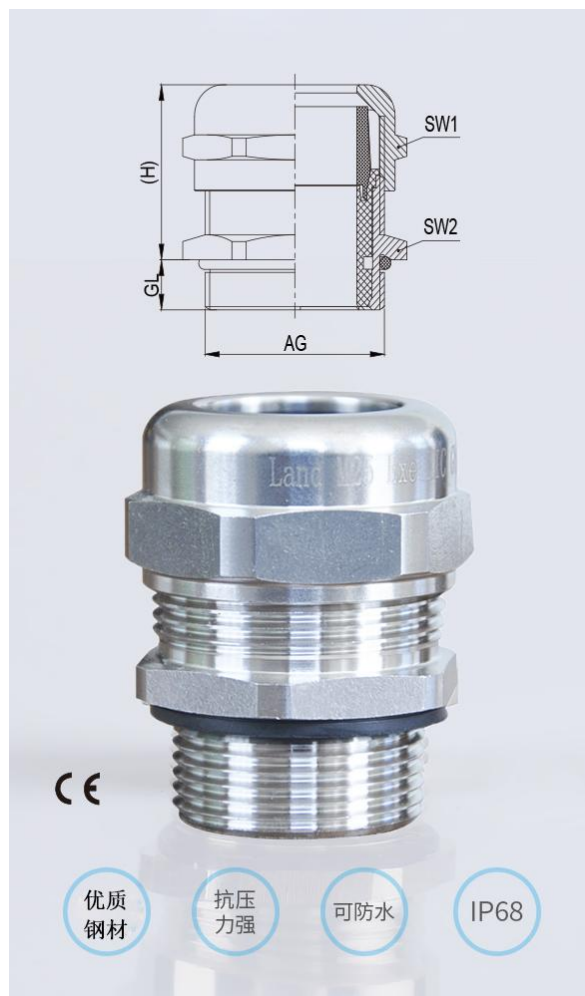
EMC 系列-防磁波不锈钢接头说明书

EMC series - anti magnetic wave stainless steel cable gland

- **产品材料:** 默认 304, 可选 316 及 316L, 密封件为 EPDM 橡胶
- **防护等级:** 规定卡口范围内, 配合密封圈, 防护等级可达 IP68
- **工作温度:** 测试 -40° ~105° 零件无损坏且保障设备正常运转
- **阻燃等级:** UL94V-2, 可定制 V0 级阻燃
- **产品性能:** EMC 可有效屏蔽电磁干扰, 广泛应用于通信行业
- **订购说明:** 默认不附螺母, 如需 316 或 316L 材质, 请将型号后缀 “SS” 变更为 “S316” 或 “S316L”

☆特别提示: 型号栏带*为非标产品, 可能无库存或只有少量库存

- **Materials:** 304. Can choose 316 and 316L are optional, And the seal is EPDM
 - **Waterproof:** Within the clamping range, The waterproof grade can reach IP68
 - **Temperature:** -40° ~105° , Short-term 120°
 - **fire prevention:** UL94V-2, Customizable V0
 - **performance:** EMC can effectively shield electromagnetic interference and is widely used in communication industry
 - **Ordering Information:** Without nut, if 316 is required, please change the rear model Ss to s316
- ☆**Special tips:** The * in front of the model is a special product. There may be no or only a small amount of stock. You need to order in advance



产品应用展示/Product application display



EMC-M 防水接头参数表/ EMC-M cable gland data sheet

蓝江产品型号	螺纹规格	电缆范围	建议开孔	螺纹长度	扳手尺寸	包装数量
Product model	Thread size	Cable range	Opening size	Thread length	Wrench Size	quantity
PN.	Metric	φ mm	AG mm	GL mm	nut/cap mm	Pcs/bag
EMC-MG12-08-SS	M12×1.5	4~8	12.5	9	15/17	50
EMC-MG12-05-SS	M12×1.5	3~5.5	12.5	9	15/17	50
EMC-MG14-08-SS	M14×1.5	4~8	14.5	9	17/17	50
EMC-MG14-05-SS	M14×1.5	3~5.5	14.5	9	17/17	50
EMC-MG16S-08-SS	M16×1.5	4~8	16.5	9.5	20/17	50
EMC-MG16S-05-SS	M16×1.5	3~5.5	16.5	9.5	20/17	50
EMC-MG16-10-SS	M16×1.5	6~10	16.5	9.5	20/21	50
EMC-MG16-07-SS	M16×1.5	4~7	16.5	9.5	20/21	50
EMC-MG16-05-SS	M16×1.5	3~5	16.5	9.5	20/21	50
EMC-MG16-04-SS	M16×1.5	2~4.3	16.5	9.5	20/21	50
EMC-MG18-10-SS	M18×1.5	6~10	18.5	9.5	21/21	50
EMC-MG18-07-SS	M18×1.5	4~7	18.5	9.5	21/21	50
EMC-MG20-14-SS	M20×1.5	8~14	20.5	12	24/26	50
EMC-MG20S-12-SS	M20×1.5	7~12	20.5	12	24/24	50
EMC-MG20S-11-SS	M20×1.5	6~11	20.5	12	24/24	50
EMC-MG20S-09-SS	M20×1.5	5~9	20.5	12	24/24	50
EMC-MG20X-08-SS	M20×1.5	4~8	20.5	12	24/18	50
EMC-MG20X-05-SS	M20×1.5	3~5.5	20.5	12	24/18	50
EMC-MG22-14-SS	M22×1.5	8~14	22.5	12	26/26	50
EMC-MG22-12-SS	M22×1.5	8~12	22.5	12	26/26	50
EMC-MG22-06-SS	M22×1.5	3~6.5	22.5	12	26/26	50
EMC-MG24-14-SS	M24×1.5	8~14	24.5	10.5	28/26	50
EMC-MG24-12-SS	M24×1.5	8~12	24.5	10.5	28/26	50
EMC-MG24-06-SS	M24×1.5	3~6.5	24.5	10.5	28/26	50
EMC-MG25-18-SS	M25×1.5	13~18	25.5	12	30/31	50
EMC-MG25-16-SS	M25×1.5	12~16	25.5	12	30/31	50
EMC-MG25-14-SS	M25×1.5	8~14	25.5	12	30/31	50
EMC-MG25-13-SS	M25×1.5	7~13	25.5	12	30/31	50
EMC-MG25-10-SS	M25×1.5	6~10	25.5	12	30/31	50
EMC-MG27-18-SS	M27×1.5/2.0	13~18	27.5	12	30/31	50
EMC-MG27-16-SS	M27×1.5/2.0	12~16	27.5	12	30/31	50

蓝江产品型号	螺纹规格	电缆范围	建议开孔	螺纹长度	扳手尺寸	包装数量
Product model	Thread size	Cable range	Opening size	Thread length	Wrench Size	quantity
PN.	Metric	Φ mm	AG mm	GL mm	nut/cap mm	Pcs/bag
EMC-MG30-25-SS	M30×1.5/2.0	18~25	30.5	12.5	34/40	50
EMC-MG30-22-SS	M30×1.5/2.0	17~22	30.5	12.5	34/40	50
EMC-MG30-18-SS	M30×1.5/2.0	13~18	30.5	12.5	34/31	50
EMC-MG30-16-SS	M30×1.5/2.0	12~16	30.5	12.5	34/31	50
EMC-MG32-25-SS	M32×1.5	18~25	32.5	12.5	38/40	20
EMC-MG32-22-SS	M32×1.5	17~22	32.5	12.5	38/40	20
EMC-MG32S-18-SS	M32×1.5	13~18	32.5	12	38/31	20
EMC-MG32S-16-SS	M32×1.5	12~16	32.5	12	38/31	20
EMC-MG32S-14-SS	M32×1.5	8~14	32.5	12	38/31	20
EMC-MG32S-10-SS	M32×1.5	6~10	32.5	12	38/31	20
EMC-MG33-25-SS	M33×2.0	18~25	33.5	14.5	38/40	20
EMC-MG33-22-SS	M33×2.0	17~22	33.5	14.5	38/40	20
EMC-MG36-25-SS	M36×1.5/2.0	18~25	36.5	13	42/40	20
EMC-MG36-22-SS	M36×1.5/2.0	17~22	36.5	13	42/40	20
EMC-MG40-31-SS	M40×1.5/2.0	25~31	40.5	14	48/50	10
EMC-MG40-25-SS	M40×1.5/2.0	18~25	40.5	14	48/50	10
EMC-MG40S-25-SS	M40×1.5	18~25	40.5	14	48/40	10
EMC-MG40S-22-SS	M40×1.5	17~22	40.5	14	48/40	10
EMC-MG42-31-SS	M42×2.0	25~31	42.5	15	48/50	10
EMC-MG42-25-SS	M42×2.0	18~25	42.5	15	48/50	10
EMC-MG48-31-SS	M48×2.0	25~31	48.5	15	58/50	10
EMC-MG48-25-SS	M48×2.0	18~25	48.5	15	58/50	10
EMC-MG50-41-SS	M50×1.5	33~41	50.5	15	58/60	10
EMC-MG50-33-SS	M50×1.5	25~33	50.5	15	58/60	10
EMC-MG50S-31-SS	M50×1.5	25~31	50.5	15	54/50	10
EMC-MG50S-25-SS	M50×1.5	18~25	50.5	15	54/50	10
EMC-MG60-44-SS	M60×2.0	36~44	60.5	15	71/65	1
EMC-MG63S-44-SS	M63×1.5	36~44	63.5	15	71/65	1
EMC-MG64-44-SS	M64×2.0	36~44	64.5	15	71/65	1

EMC-PG 防水接头参数表/ EMC-PG cable gland data sheet

蓝江产品型号	螺纹规格	电缆范围	建议开孔	螺纹长度	扳手尺寸	包装数量
Product model	Thread size	Cable range	Opening size	Thread length	Wrench Size	quantity
PN.	PG	mm	mm	mm	nut/cap mm	Pcs/bag
EMC-PG7-08-SS	PG7	4~8	13	9	15/17	50
EMC-PG7-05-SS	PG7	3~5.5	13	9	15/17	50
EMC-PG7-03-SS	PG7	2~3.2	13	9	15/17	50
EMC-PG9-08-SS	PG9	4~8	15.5	9	17/17	50
EMC-PG9-05-SS	PG9	3~5.5	15.5	9	17/17	50
EMC-PG9-03-SS	PG9	2~3.2	15.5	9	17/17	50
EMC-PG11-10-SS	PG11	6~10	19	9.5	21/21	50
EMC-PG11-07-SS	PG11	4~7	19	9.5	21/21	50
EMC-PG11-05-SS	PG11	3~5	19	9.5	21/21	50
EMC-PG13.5-14-SS	PG13.5	8~14	21	10.5	24/26	50
EMC-PG13.5-12-SS	PG13.5	7~12	21	10.5	24/24	50
EMC-PG13.5-11-SS	PG13.5	6~11	21	10.5	24/24	50
EMC-PG13.5-09-SS	PG13.5	5~9	21	10.5	24/24	50
EMC-PG16-14-SS	PG16	8~14	23	12	26/26	50
EMC-PG16-12-SS	PG16	8~12	23	12	26/26	50
EMC-PG16-06-SS	PG16	3~6.5	23	12	26/26	50
EMC-PG19-14-SS	PG19	8~14	24.5	10.5	28/26	50
EMC-PG21-18-SS	PG21	13~18	28.5	12	32/31	50
EMC-PG21-16-SS	PG21	12~16	28.5	12	32/31	50
EMC-PG21-14-SS	PG21	8~14	28.5	12	32/31	50
EMC-PG21-10-SS	PG21	6~10	28.5	12	32/31	50
EMC-PG25-18-SS	PG25	13~18	30.2	12.5	34/31	50
EMC-PG25-16-SS	PG25	12~16	30.2	12.5	34/31	50
EMC-PG29-25-SS	PG29	18~25	37.2	12.5	40/40	20
EMC-PG29-22-SS	PG29	17~22	37.2	12.5	40/40	20
EMC-PG36-31-SS	PG36	25~31	47.5	15	58/50	10
EMC-PG36-25-SS	PG36	18~25	47.5	15	58/50	10
EMC-PG42-41-SS	PG42	33~41	54.5	15	60/60	10
EMC-PG42-33-SS	PG42	25~33	54.5	15	60/60	10
EMC-PG48-44-SS	PG48	36~44	60	15	71/65	1

EMC-G 防水接头参数表/ EMC-G cable gland data sheet

蓝江产品型号	螺纹规格	电缆范围	建议开孔	螺纹长度	扳手尺寸	包装数量
Product model	Thread size	Cable range	Opening size	Thread length	Wrench Size	quantity
PN.	G(PF)	mm	mm	mm	nut/cap mm	Pcs/bag
EMC-G1/4-08-SS	G1/4	4~8	13.5	9	17/17	50
EMC-G1/4-05-SS	G1/4	3~5.5	13.5	9	17/17	50
EMC-G1/4-3.2-SS	G1/4	2~3.2	13.5	9	17/17	50
EMC-G3/8-10-SS	G3/8	6~10	16.6	9.5	21/21	50
EMC-G3/8-07-SS	G3/8	4~7	16.6	9.5	21/21	50
EMC-G3/8-05-SS	G3/8	3~5	16.6	9.5	21/21	50
EMC-G1/2-14-SS	G1/2	8~14	21	12	24/26	50
EMC-G1/2-12-SS	G1/2	7~12	21	12	24/24	50
EMC-G1/2-11-SS	G1/2	6~11	21	12	24/24	50
EMC-G1/2-09-SS	G1/2	5~9	21	12	24/24	50
EMC-G3/4-18-SS	G3/4	13~18	26.6	12	30/31	50
EMC-G3/4-16-SS	G3/4	12~16	26.6	12	30/31	50
EMC-G3/4-14-SS	G3/4	8~14	26.6	12	30/31	50
EMC-G3/4-10-SS	G3/4	6~10	26.6	12	30/31	50
EMC-G1-25-SS	G1	18~25	33.5	15	38/40	20
EMC-G1-22-SS	G1	17~22	33.5	15	38/40	20
EMC-G1-1/4-31-SS	G1-1/4	25~31	42	15	48/50	10
EMC-G1-1/4-25-SS	G1-1/4	18~25	42	15	48/50	10
EMC-G1-1/2-41-SS	G1-1/2	33~41	48	15	55/60	10
EMC-G1-1/2-33-SS	G1-1/2	25~33	48	15	55/60	10
EMC-G1-1/2-31-SS	G1-1/2	25~31	48	15	55/50	10
EMC-G1-1/2-25-SS	G1-1/2	18~25	48	15	55/50	10
EMC-G2-44-SS	G2	36~44	60	15	71/65	1

EMC-NPT 防水接头参数表/ EMC-NPT cable gland data sheet

蓝江产品型号	螺纹规格	电缆范围	建议开孔	螺纹长度	扳手尺寸	包装数量
Product model	Thread size	Cable range	Opening size	Thread length	Wrench Size	quantity
PN.	NPT	mm	mm	mm	nut/cap mm	Pcs/bag
EMC-NPT1/4-08-SS	NPT1/4	4~8	13.5	9	17/17	50
EMC-NPT1/4-05-SS	NPT1/4	3~5.5	13.5	9	17/17	50
EMC-NPT1/4-3.2-SS	NPT1/4	2~3.2	13.5	9	17/17	50
EMC-NPT3/8-10-SS	NPT3/8	6~10	16.6	10	21/21	50
EMC-NPT3/8-07-SS	NPT3/8	4~7	16.6	10	21/21	50
EMC-NPT3/8-05-SS	NPT3/8	3~5	16.6	10	21/21	50
EMC-NPT1/2-14-SS	NPT1/2	8~14	21	13	24/26	50
EMC-NPT1/2-12-SS	NPT1/2	7~12	21	11	24/24	50
EMC-NPT1/2-11-SS	NPT1/2	6~11	21	11	24/24	50
EMC-NPT1/2-09-SS	NPT1/2	5~9	21	11	24/24	50
EMC-NPT3/4-18-SS	NPT3/4	13~18	26.6	13	30/31	50
EMC-NPT3/4-16-SS	NPT3/4	12~16	26.6	13	30/31	50
EMC-NPT3/4-14-SS	NPT3/4	8~14	26.6	13	30/31	50
EMC-NPT3/4-10-SS	NPT3/4	6~10	26.6	13	30/31	50
EMC-NPT1-25-SS	NPT1	18~25	33.5	15	38/40	20
EMC-NPT1-22-SS	NPT1	17~22	33.5	15	38/40	20
EMC-NPT1-1/4-31-SS	NPT1-1/4	25~31	42	15	48/50	10
EMC-NPT1-1/4-25-SS	NPT1-1/4	18~25	42	15	48/50	10
EMC-NPT1-1/2-41-SS	NPT1-1/2	33~41	48	15	55/60	10
EMC-NPT1-1/2-33-SS	NPT1-1/2	25~33	48	15	55/60	10
EMC-NPT1-1/2-31-SS	NPT1-1/2	25~31	48	15	55/50	10
EMC-NPT1-1/2-25-SS	NPT1-1/2	18~25	48	15	55/50	10
EMC-NPT2-44-SS	NPT2	36~44	60	15	71/65	1