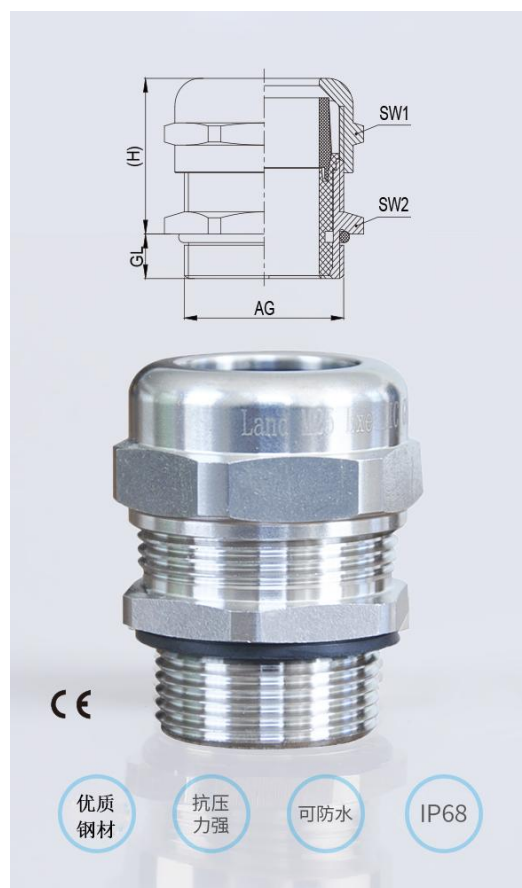


# EXA 系列-防爆不锈钢接头-M

Exa series - explosion proof cable connector instructions

- 产品材料: 默认 304, 密封件为 EPDM 橡胶
  - 防护等级: IP68
  - 工作温度:  $-40^{\circ} \sim 105^{\circ}$
  - 阻燃等级: UL94V-2, 可定制 V0 级阻燃
  - 防爆标准: Exe IIC Gb/Ex td A20 IP68
  - 订购说明: 默认不附螺母
- ☆特别提示: 带\*为非防爆定制产品, 可能有一定的交期

- 
- Materials: SUS304+EPDM
  - Waterproof: IP68
  - Temperature:  $-40^{\circ} \sim 105^{\circ}$ , Short-term  $120^{\circ}$
  - fire prevention: UL94V-2, Customizable V0
  - performance: Exe IIC Gb/Ex td A20 IP68
  - Ordering Information: Without nut
- ☆Special tips: With \* to be customized



蓝江产品型号	螺纹规格	电缆范围	建议开孔	螺纹长度	扳手尺寸	包装
Product model	Thread size	Cable range	Opening size	Thread length	Wrench Size	quantity
PN.	Metric	$\phi$ mm	AG mm	GL mm	nut/cap mm	Pcs/bag
MG12S-06-SS	M12×1.5	3~6	12.5	7	15/14	50
MG12-08-SS	M12×1.5	4~8	12.5	9	15/17	50
MG12-05-SS	M12×1.5	3~5.5	12.5	9	15/17	50
MG12-03-SS	M12×1.5	2~3.2	12.5	9	15/17	50
MG14-08-SS	M14×1.5	4~8	14.5	9	17/17	50
MG14-05-SS	M14×1.5	3~5.5	14.5	9	17/17	50
MG16S-08-SS	M16×1.5	4~8	16.5	9.5	20/17	50
MG16S-05-SS	M16×1.5	3~5.5	16.5	9.5	20/17	50
MG16-10-SS	M16×1.5	6~10	16.5	9.5	20/21	50
MG16-07-SS	M16×1.5	4~7	16.5	9.5	20/21	50
MG16-05-SS	M16×1.5	3~5	16.5	9.5	20/21	50
MG16-04-SS	M16×1.5	2~4.3	16.5	9.5	20/21	50
MG18-10-SS	M18×1.5	6~10	18.5	9.5	21/21	50
MG18-07-SS	M18×1.5	4~7	18.5	9.5	21/21	50
MG20-16-SS	M20×1.5	11~16	20.5	12	24/27	50
MG20-14-SS	M20×1.5	8~14	20.5	12	24/26	50
MG20-12-SS	M20×1.5	8~12	20.5	12	24/26	50
MG20-06-SS	M20×1.5	3~6.5	20.5	12	24/26	50
MG20S-12-SS	M20×1.5	7~12	20.5	12	24/24	50
MG20S-11-SS	M20×1.5	6~11	20.5	12	24/24	50
MG20S-09-SS	M20×1.5	5~9	20.5	12	24/24	50
MG20X-08-SS	M20×1.5	4~8	20.5	12	24/18	50
MG20X-05-SS	M20×1.5	3~5.5	20.5	12	24/18	50

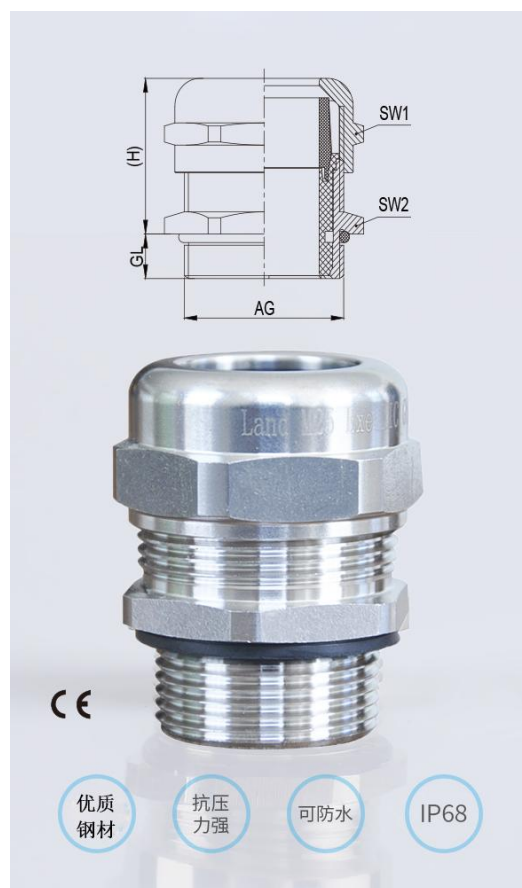
蓝江产品型号	螺纹规格	电缆范围	建议开孔	螺纹长度	扳手尺寸	包装
Product model	Thread size	Cable range	Opening size	Thread length	Wrench Size	quantity
PN.	Metric	φ mm	AG mm	GL mm	nut/cap mm	Pcs/bag
MG22-14-SS	M22×1.5	8~14	22.5	12	26/26	50
MG22-12-SS	M22×1.5	8~12	22.5	12	26/26	50
MG22-06-SS	M22×1.5	3~6	22.5	12	26/26	50
MG24-14-SS	M24×1.5	8~14	24.5	10.5	28/26	50
MG24-12-SS	M24×1.5	8~12	24.5	10.5	28/26	50
MG22-06-SS	M22×1.5	3~6	22.5	12	26/26	50
MG25-18-SS	M25×1.5	13~18	25.5	12	30/31	50
MG25-16-SS	M25×1.5	12~16	25.5	12	30/31	50
MG25-14-SS	M25×1.5	8~14	25.5	12	30/31	50
MG25-10-SS	M25×1.5	6~10	25.5	12	30/31	50
MG27-18-SS	M27×1.5/2.0	13~18	27.5	12	30/31	50
MG27-16-SS	M27×1.5/2.0	12~16	27.5	12	30/31	50
MG27-14-SS	M27×1.5/2.0	8~14	27.5	12	30/31	50
MG27-10-SS	M27×1.5/2.0	6~10	27.5	12	30/31	50
MG30-25-SS	M30×1.5/2.0	18~25	30.5	12.5	34/40	50
MG30-22-SS	M30×1.5/2.0	17~22	30.5	12.5	34/40	50
MG30-18-SS	M30×1.5/2.0	13~18	30.5	12.5	34/31	50
MG30-16-SS	M30×1.5/2.0	12~16	30.5	12.5	34/31	50
MG30-14-SS	M30×1.5/2.0	8~14	30.5	12.5	34/31	50
MG30-10-SS	M30×1.5/2.0	6~10	30.5	12.5	34/31	50
MG32-25-SS	M32×1.5	18~25	32.5	12.5	38/40	20
MG32-22-SS	M32×1.5	17~22	32.5	12.5	38/40	20
MG32S-18-SS	M32×1.5	13~18	32.5	12	38/31	20
MG32S-16-SS	M32×1.5	12~16	32.5	12	38/31	20
MG33-25-SS	M33×2.0	18~25	33.5	14.5	38/40	20
MG36-25-SS	M36×1.5/2.0	18~25	36.5	13	42/40	20
MG40-31-SS	M40×1.5/2.0	25~31	40.5	14	48/50	10
MG40-25-SS	M40×1.5/2.0	18~25	40.5	14	48/50	10
MG42-31-SS	M42×2.0	25~31	42.5	15	48/50	10
MG42-25-SS	M42×2.0	18~25	42.5	15	48/50	10
MG48-31-SS	M48×2.0	25~31	48.5	15	58/50	10
MG48-25-SS	M48×2.0	18~25	48.5	15	58/50	10
MG50-41-SS	M50×1.5	33~41	50.5	15	58/60	10
MG50-33-SS	M50×1.5	25~33	50.5	15	58/60	10
MG60-44-SS	M60×2.0	36~44	60.5	15	71/65	1
MG63-54-SS	M63×1.5	46~54	63.5	15	71/76	1
MG63-46-SS	M63×1.5	38~46	63.5	15	71/76	1
MG63S-44-SS	M63×1.5	36~44	63.5	15	71/65	1
MG64-44-SS	M64×2.0	36~44	64.5	15	71/65	1

# EXA 系列-防爆不锈钢接头-PG

Exa series - Explosion proof cable gland-PG

- 产品材料: 默认 304, 密封件为 EPDM 橡胶
  - 防护等级: IP68
  - 工作温度:  $-40^{\circ} \sim 105^{\circ}$
  - 阻燃等级: UL94V-2, 可定制 V0 级阻燃
  - 防爆标准: Exe IIC Gb/Ex td A20 IP68
  - 订购说明: 默认不附螺母
- ☆特别提示: 带\*为非标产品, 可能有一定的交期

- 
- Materials: SUS304+EPDM
  - Waterproof: IP68
  - Temperature:  $-40^{\circ} \sim 105^{\circ}$ , Short-term  $120^{\circ}$
  - fire prevention: UL94V-2, Customizable V0
  - performance: Exe IIC Gb/Ex td A20 IP68
  - Ordering Information: Without nut
- ☆Special tips: With \* to be customized



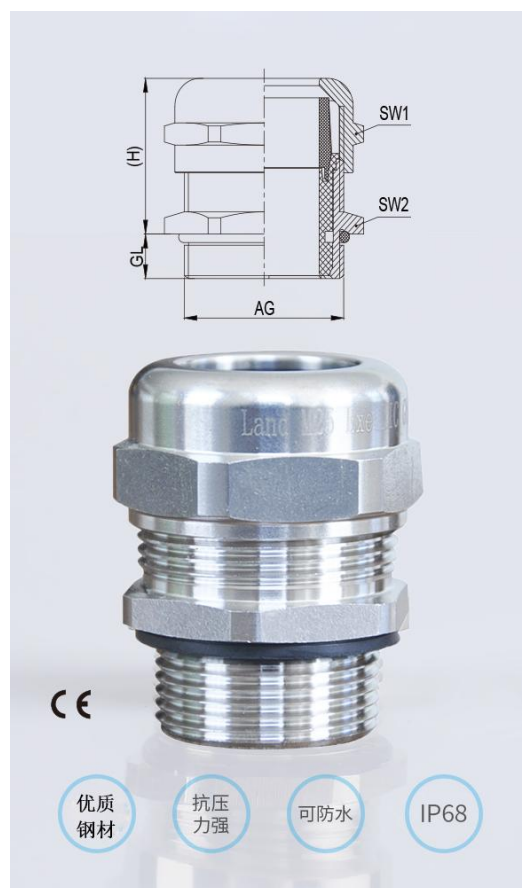
蓝江产品型号	螺纹规格	电缆范围	建议开孔	螺纹长度	扳手尺寸	包装
Product model	Thread size	Cable range	Opening size	Thread length	Wrench Size	quantity
PN.	PG	mm	mm	mm	nut/cap mm	Pcs/bag
PG7-08-SS	PG7	4~8	13	9	15/17	50
PG7-05-SS	PG7	3~5.5	13	9	15/17	50
PG9-08-SS	PG9	4~8	15.5	9	17/17	50
PG9-05-SS	PG9	3~5.5	15.5	9	17/17	50
PG11-10-SS	PG11	6~10	19	9.5	21/21	50
PG11-07-SS	PG11	4~7	19	9.5	21/21	50
PG13.5-12-SS	PG13.5	7~12	21	10.5	24/24	50
PG13.5-11-SS	PG13.5	6~11	21	10.5	24/24	50
PG13.5-09-SS	PG13.5	5~9	21	10.5	24/24	50
PG16-14-SS	PG16	8~14	23	12	26/26	50
PG16-12-SS	PG16	8~12	23	12	26/26	50
PG19-14-SS	PG19	8~14	24.5	10.5	28/26	50
PG21-18-SS	PG21	13~18	28.5	12	32/31	50
PG21-16-SS	PG21	12~16	28.5	12	32/31	50
PG25-18-SS	PG25	13~18	30.2	12.5	34/31	50
PG29-25-SS	PG29	18~25	37.2	12.5	40/40	20
PG29-22-SS	PG29	17~22	37.2	12.5	40/40	20
PG36-31-SS	PG36	25~31	47.5	15	58/50	10
PG36-25-SS	PG36	18~25	47.5	15	58/50	10
PG42-41-SS	PG42	33~41	54.5	15	60/60	10
PG42-33-SS	PG42	25~33	54.5	15	60/60	10
PG48-44-SS	PG48	36~44	60	15	71/65	1

# EXA 系列-防爆不锈钢接头-G

Exa series - Explosion proof cable gland-PG

- 产品材料: 默认 304, 密封件为 EPDM 橡胶
  - 防护等级: IP68
  - 工作温度:  $-40^{\circ} \sim 105^{\circ}$
  - 阻燃等级: UL94V-2, 可定制 V0 级阻燃
  - 防爆标准: Exe IIC Gb/Ex td A20 IP68
  - 订购说明: 默认不附螺母
- ☆特别提示: 带\*为非标产品, 可能有一定的交期

- 
- Materials: SUS304+EPDM
  - Waterproof: IP68
  - Temperature:  $-40^{\circ} \sim 105^{\circ}$ , Short-term  $120^{\circ}$
  - fire prevention: UL94V-2, Customizable V0
  - performance: Exe IIC Gb/Ex td A20 IP68
  - Ordering Information: Without nut
- ☆Special tips: With \* to be customized



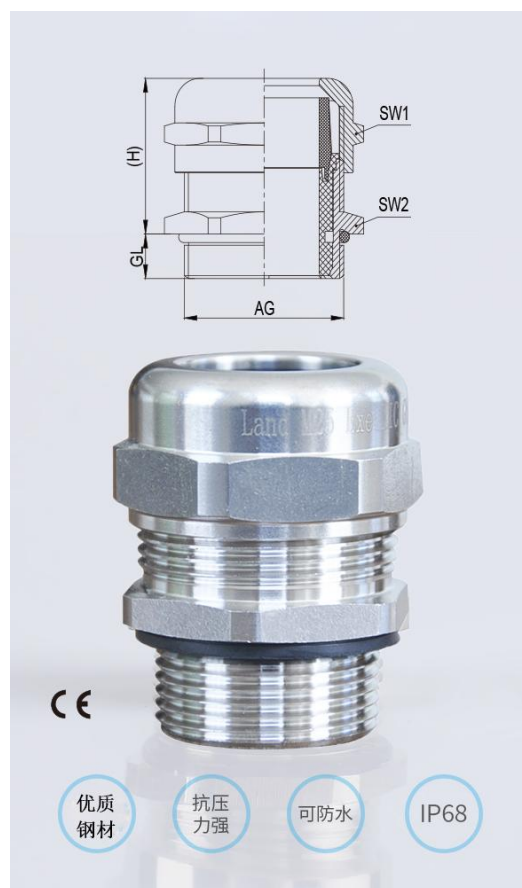
蓝江产品型号	螺纹规格	电缆范围	建议开孔	螺纹长度	扳手尺寸	包装
Product model	Thread size	Cable range	Opening size	Thread length	Wrench Size	quantity
PN.	G(PF)	mm	mm	mm	nut/cap mm	Pcs/bag
G1/4-08-SS	G1/4	4~8	13.5	9	17/17	50
G1/4-05-SS	G1/4	3~5.5	13.5	9	17/17	50
G1/4-03-SS	G1/4	2~3.2	13.5	9	17/17	50
G3/8-10-SS	G3/8	6~10	16.6	9.5	21/21	50
G3/8-07-SS	G3/8	4~7	16.6	9.5	21/21	50
G3/8-05-SS	G3/8	3~5	16.6	9.5	21/21	50
G3/8-04-SS	G3/8	2~4.3	16.6	9.5	21/21	50
G1/2-16-SS	G1/2	11~16	21	12	24/27	50
G1/2-14-SS	G1/2	8~14	21	12	24/26	50
G1/2-12-SS	G1/2	7~12	21	12	24/24	50
G1/2-11-SS	G1/2	6~11	21	12	24/24	50
G1/2-09-SS	G1/2	5~9	21	12	24/24	50
G3/4-18-SS	G3/4	13~18	26.6	12	30/31	50
G3/4-16-SS	G3/4	12~16	26.6	12	30/31	50
G3/4-14-SS	G3/4	8~14	26.6	12	30/31	50
G3/4-10-SS	G3/4	6~10	26.6	12	30/31	50
G1-25-SS	G1	18~25	33.5	15	38/40	20
G1-22-SS	G1	17~22	33.5	15	38/40	20
G1-1/4-31-SS	G1-1/4	25~31	42	15	48/50	10
G1-1/4-25-SS	G1-1/4	18~25	42	15	48/50	10
G1-1/2-31-SS	G1-1/2	25~31	48	15	55/50	10
G1-1/2-25-SS	G1-1/2	18~25	48	15	55/50	10
G2-44-SS	G2	36~44	60	15	71/65	1

# EXA 系列-防爆不锈钢接头-NPT

Exa series - Explosion proof cable gland-PG

- 产品材料: 默认 304, 密封件为 EPDM 橡胶
  - 防护等级: IP68
  - 工作温度:  $-40^{\circ} \sim 105^{\circ}$
  - 阻燃等级: UL94V-2, 可定制 V0 级阻燃
  - 防爆标准: Exe IIC Gb/Ex td A20 IP68
  - 订购说明: 默认不附螺母
- ☆特别提示: 带\*为非标产品, 可能有一定的交期

- 
- Materials: SUS304+EPDM
  - Waterproof: IP68
  - Temperature:  $-40^{\circ} \sim 105^{\circ}$ , Short-term  $120^{\circ}$
  - fire prevention: UL94V-2, Customizable V0
  - performance: Exe IIC Gb/Ex td A20 IP68
  - Ordering Information: Without nut
- ☆Special tips: With \* to be customized



蓝江产品型号	螺纹规格	电缆范围	建议开孔	螺纹长度	扳手尺寸	包装
Product model	Thread size	Cable range	Opening size	Thread length	Wrench Size	quantity
PN.	NPT	mm	mm	mm	nut/cap mm	Pcs/bag
NPT1/4-08-SS	NPT1/4	4~8	13.5	9	17/17	50
NPT1/4-05-SS	NPT1/4	3~5.5	13.5	9	17/17	50
NPT1/4-03-SS	NPT1/4	2~3.2	13.5	9	17/17	50
NPT3/8-10-SS	NPT3/8	6~10	16.6	10	21/21	50
NPT3/8-07-SS	NPT3/8	4~7	16.6	10	21/21	50
NPT3/8-05-SS	NPT3/8	3~5	16.6	10	21/21	50
NPT3/8-04-SS	NPT3/8	2~4.3	16.6	10	21/21	50
NPT1/2-16-SS	NPT1/2	11~16	21	13	24/27	50
NPT1/2-14-SS	NPT1/2	8~14	21	13	24/26	50
NPT1/2-12-SS	NPT1/2	7~12	21	11	24/24	50
NPT1/2-11-SS	NPT1/2	6~11	21	11	24/24	50
NPT1/2-09-SS	NPT1/2	5~9	21	11	24/24	50
NPT3/4-18-SS	NPT3/4	13~18	26.6	13	30/31	50
NPT3/4-16-SS	NPT3/4	12~16	26.6	13	30/31	50
NPT3/4-14-SS	NPT3/4	8~14	26.6	13	30/31	50
NPT3/4-10-SS	NPT3/4	6~10	26.6	13	30/31	50
NPT1-25-SS	NPT1	18~25	33.5	15	38/40	20
NPT1-22-SS	NPT1	17~22	33.5	15	38/40	20
NPT1-1/4-31-SS	NPT1-1/4	25~31	42	15	48/50	10
NPT1-1/4-25-SS	NPT1-1/4	18~25	42	15	48/50	10
NPT1-1/2-31-SS	NPT1-1/2	25~31	48	15	55/50	10
NPT1-1/2-25-SS	NPT1-1/2	18~25	48	15	55/50	10
NPT2-44-SS	NPT2	36~44	60	15	71/65	1

# 细牙和大型不锈钢接头-M

Fine tooth and large Stainless steel cable gland

- 产品材料: 默认 304, 密封件为 EPDM 橡胶
  - 防护等级: IP68
  - 工作温度:  $-40^{\circ} \sim 105^{\circ}$
  - 阻燃等级: UL94V-2, 可定制 V0 级阻燃
  - 订购说明: 默认不附螺母
- ☆特别提示: 带\*为非标产品, 可能有一定的交期

- 
- Materials: SUS304+EPDM
  - Waterproof: IP68
  - Temperature:  $-40^{\circ} \sim 105^{\circ}$ , Short-term  $120^{\circ}$
  - fire prevention: UL94V-2, Customizable V0
  - Ordering Information: Without nut
- ☆Special tips: With \* to be customized



## 细牙不锈钢接头选型手册/Fine tooth cable gland

蓝江产品型号	螺纹规格	电缆范围	建议开孔	螺纹长度	扳手尺寸	包装
Product model	Thread size	Cable range	Opening size	Thread length	Wrench Size	quantity
PN.	M-PG-G-NPT	mm	mm	mm	nut/cap mm	Pcs/bag
MG6-03-SS	M6×1.0	2~3	6.2	6	10/10	100
MG8-04-SS	M8×1.0	3~4	8.2	6	12/12	100
MG10-06-SS	M10×1.0	3~6	10.2	6	14/14	100
MG12-08-SS	M12×1.0	4~8	12.2	9	15/17	50
MG16-10-SS	M16×1.0	6~10	16.2	9.5	20/21	50
MG20-12-SS	M20×1.0	7~12	20.2	12	24/24	50

## 大型不锈钢接头选型手册/Large stainless steel cable gland

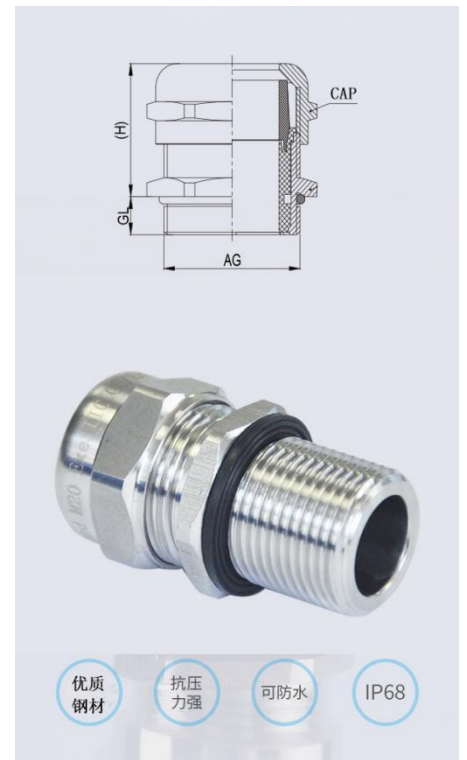
蓝江产品型号	螺纹规格	电缆范围	建议开孔	螺纹长度	扳手尺寸	包装
Product model	Thread size	Cable range	Opening size	Thread length	Wrench Size	quantity
PN.	M-PG-G-NPT	mm	mm	mm	nut/cap mm	Pcs/bag
MG72-66-SS	M72×2.0	60~66	72.5	15.5	80/85	1
MG72-54-SS	M72×2.0	46~54	72.5	15	80/75	1
MG75-66-SS	M75×2.0	60~66	75.5	15.5	80/85	1
MG75-62-SS	M75×2.0	56~62	75.5	15.5	80/85	1
MG75-56-SS	M75×2.0	50~56	75.5	15.5	80/85	1
MG90-77-SS	M90×2.0	70~77	90.5	20	95/103	1
MG90-68-SS	M90×2.0	60~68	90.5	20	95/103	1
MG100-90-SS	M100×2.0	48~90	100.5	20	102/110	1
MG110-99-SS	M110×2.0	88~99	110.5	20	120/120	1
MG120-108-SS	M120×2.0	99~108	120.5	20	130/130	1
MG130-119-SS	M130×2.0	108~119	130.5	20	135/140	1
MG140-129-SS	M140×2.0	119~129	140.5	20	150/150	1
MG150-135-SS	M150×2.0	129~135	150.5	20	160/160	1

# L型-长牙不锈钢电缆接头-M

L-type - long tooth Stainless steel cable gland

- 产品材料: 默认 304, 密封件为 EPDM 橡胶
  - 防护等级: IP68
  - 工作温度:  $-40^{\circ} \sim 105^{\circ}$
  - 阻燃等级: UL94V-2, 可定制 V0 级阻燃
  - 订购说明: 默认不附螺母
- ☆特别提示: 带\*为非标产品, 可能有一定的交期

- 
- Materials: SUS304+EPDM
  - Waterproof: IP68
  - Temperature:  $-40^{\circ} \sim 105^{\circ}$ , Short-term  $120^{\circ}$
  - fire prevention: UL94V-2, Customizable V0
  - Ordering Information: Without nut
- ☆Special tips: With \* to be customized



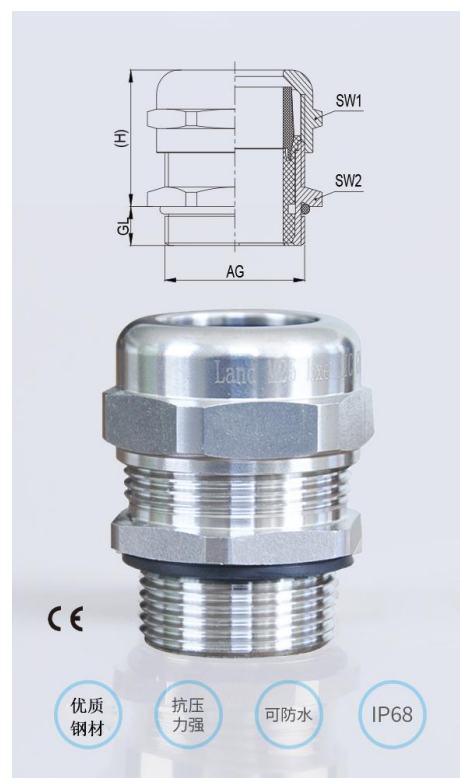
蓝江产品型号	螺纹规格	电缆范围	建议开孔	螺纹长度	扳手尺寸	包装
Product model	Thread size	Cable range	Opening size	Thread length	Wrench Size	quantity
PN.	M-PG-G-NPT	mm	mm	mm	nut/cap mm	Pcs/bag
MG10L-06-SS	M10×1.0	3~6	10.5	15	14/14	100
MG12L-08-SS	M12×1.5	4~8	12.5	15	15/17	50
MG12L-05-SS	M12×1.5	3~5.5	12.5	15	15/17	50
MG16L-10-SS	M16×1.5	6~10	16.5	15	20/21	50
MG16L-07-SS	M16×1.5	4~7	16.5	15	20/21	50
MG18L-10-SS	M18×1.5	6~10	18.5	15	21/21	50
MG18L-07-SS	M18×1.5	4~7	18.5	15	21/21	50
MG20L-14-SS	M20×1.5	8~14	20.5	15	24/26	50
MG20L-14-SS	M20×1.5	8~14	20.5	20	24/26	50
MG20SL-12-SS	M20×1.5	7~12	20.5	15	24/24	50
MG20SL-12-SS	M20×1.5	7~12	20.5	20	24/24	50
MG20SL-09-SS	M20×1.5	5~9	20.5	15	24/24	50
MG20SL-09-SS	M20×1.5	5~9	20.5	20	24/24	50
MG22L-14-SS	M22×1.5	8~14	22.5	15	26/26	50
MG24L-14-SS	M24×1.5	8~14	24.5	15	28/26	50
MG25L-18-SS	M25×1.5	13~18	25.5	15	30/31	50
MG25L-16-SS	M25×1.5	12~16	25.5	15	30/31	50
MG25L-14-SS	M25×1.5	8~14	25.5	15	30/31	50
MG25L-13-SS	M25×1.5	7~13	25.5	15	30/31	50
MG25L-10-SS	M25×1.5	6~10	25.5	15	30/31	50
MG27L-18-SS	M27×1.5/2.0	13~18	27.5	17	30/31	50
MG27L-16-SS	M27×1.5/2.0	12~16	27.5	17	30/31	50
MG30L-18-SS	M30×1.5/2.0	13~18	30.5	15	34/31	50
MG30L-16-SS	M30×1.5/2.0	12~16	30.5	15	34/31	50
MG32L-25-SS	M32×1.5	18~25	32.5	15	38/40	20

# EMC 型-屏蔽不锈钢电缆接头-M

EMC-type - EMC Stainless steel cable gland

- 产品材料: 默认 304, 密封件为 EPDM 橡胶
  - 防护等级: IP68
  - 工作温度:  $-40^{\circ} \sim 105^{\circ}$
  - 阻燃等级: UL94V-2, 可定制 V0 级阻燃
  - 订购说明: 默认不附螺母
- ☆特别提示: 带\*为非标产品, 可能有一定的交期

- 
- Materials: SUS304+EPDM
  - Waterproof: IP68
  - Temperature:  $-40^{\circ} \sim 105^{\circ}$ , Short-term  $120^{\circ}$
  - fire prevention: UL94V-2, Customizable V0
  - Ordering Information: Without nut
- ☆Special tips: With \* to be customized



蓝江产品型号	螺纹规格	电缆范围	建议开孔	螺纹长度	扳手尺寸	包装
Product model	Thread size	Cable range	Opening size	Thread length	Wrench Size	quantity
PN.	Metric	$\phi$ mm	AG mm	GL mm	nut/cap mm	Pcs/bag
EMC-MG12-08-SS	M12×1.5	4~8	12.5	9	15/17	50
EMC-MG14-08-SS	M14×1.5	4~8	14.5	9	17/17	50
EMC-MG16S-08-SS	M16×1.5	4~8	16.5	9.5	20/17	50
EMC-MG16-10-SS	M16×1.5	6~10	16.5	9.5	20/21	50
EMC-MG18-10-SS	M18×1.5	6~10	18.5	9.5	21/21	50
EMC-MG20-14-SS	M20×1.5	8~14	20.5	12	24/26	50
EMC-MG20S-12-SS	M20×1.5	7~12	20.5	12	24/24	50
EMC-MG22-14-SS	M22×1.5	8~14	22.5	12	26/26	50
EMC-MG24-14-SS	M24×1.5	8~14	24.5	10.5	28/26	50
EMC-MG25-18-SS	M25×1.5	13~18	25.5	12	30/31	50
EMC-MG27-18-SS	M27×1.5/2.0	13~18	27.5	12	30/31	50
EMC-MG30-18-SS	M30×1.5/2.0	13~18	30.5	12.5	34/31	50
EMC-MG32-25-SS	M32×1.5	18~25	32.5	12.5	38/40	20
EMC-MG36-25-SS	M36×1.5/2.0	18~25	36.5	13	42/40	20
EMC-MG40-31-SS	M40×1.5/2.0	25~31	40.5	14	48/50	10
EMC-MG42-31-SS	M42×2.0	25~31	42.5	15	48/50	10
EMC-MG48-31-SS	M48×2.0	25~31	48.5	15	58/50	10
EMC-MG50-41-SS	M50×1.5	33~41	50.5	15	58/60	10
EMC-MG63S-44-SS	M63×1.5	36~44	63.5	15	71/65	1

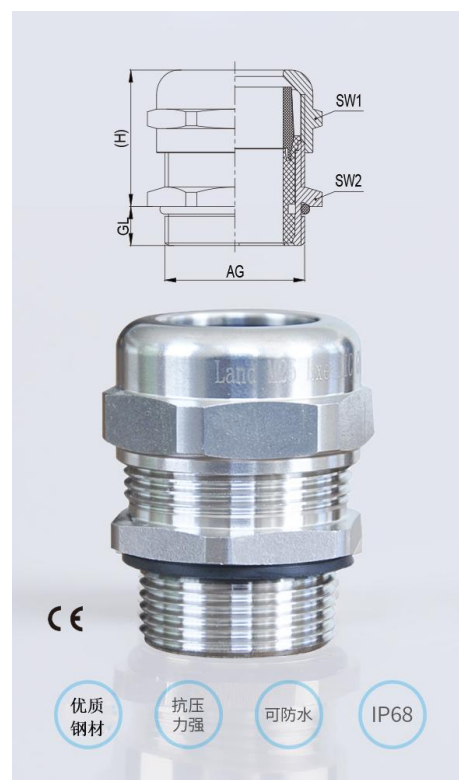


# EMC 型-屏蔽不锈钢电缆接头-PG

EMC-type - EMC Stainless steel cable gland

- 产品材料: 默认 304, 密封件为 EPDM 橡胶
  - 防护等级: IP68
  - 工作温度:  $-40^{\circ} \sim 105^{\circ}$
  - 阻燃等级: UL94V-2, 可定制 V0 级阻燃
  - 订购说明: 默认不附螺母
- ☆特别提示: 带\*为非标产品, 可能有一定的交期

- 
- Materials: SUS304+EPDM
  - Waterproof: IP68
  - Temperature:  $-40^{\circ} \sim 105^{\circ}$ , Short-term  $120^{\circ}$
  - fire prevention: UL94V-2, Customizable V0
  - Ordering Information: Without nut
- ☆Special tips: With \* to be customized



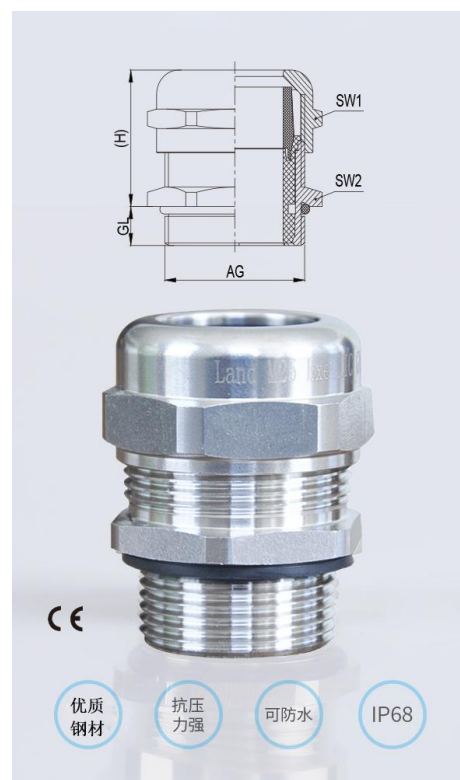
蓝江产品型号	螺纹规格	电缆范围	建议开孔	螺纹长度	扳手尺寸	包装
Product model	Thread size	Cable range	Opening size	Thread length	Wrench Size	quantity
PN.	PG	mm	mm	mm	nut/cap mm	Pcs/bag
EMC-PG7-08-SS	PG7	4~8	13	9	15/17	50
EMC-PG7-05-SS	PG7	3~5.5	13	9	15/17	50
EMC-PG9-08-SS	PG9	4~8	15.5	9	17/17	50
EMC-PG9-05-SS	PG9	3~5.5	15.5	9	17/17	50
EMC-PG11-10-SS	PG11	6~10	19	9.5	21/21	50
EMC-PG11-07-SS	PG11	4~7	19	9.5	21/21	50
EMC-PG11-05-SS	PG11	3~5	19	9.5	21/21	50
EMC-PG13.5-14-SS	PG13.5	8~14	21	10.5	24/26	50
EMC-PG13.5-12-SS	PG13.5	7~12	21	10.5	24/24	50
EMC-PG13.5-09-SS	PG13.5	5~9	21	10.5	24/24	50
EMC-PG16-14-SS	PG16	8~14	23	12	26/26	50
EMC-PG16-12-SS	PG16	8~12	23	12	26/26	50
EMC-PG19-14-SS	PG19	8~14	24.5	10.5	28/26	50
EMC-PG21-18-SS	PG21	13~18	28.5	12	32/31	50
EMC-PG21-16-SS	PG21	12~16	28.5	12	32/31	50
EMC-PG25-18-SS	PG25	13~18	30.2	12.5	34/31	50
EMC-PG29-25-SS	PG29	18~25	37.2	12.5	40/40	20
EMC-PG29-22-SS	PG29	17~22	37.2	12.5	40/40	20
EMC-PG36-31-SS	PG36	25~31	47.5	15	58/50	10
EMC-PG36-25-SS	PG36	18~25	47.5	15	58/50	10
EMC-PG42-41-SS	PG42	33~41	54.5	15	60/60	10
EMC-PG42-33-SS	PG42	25~33	54.5	15	60/60	10
EMC-PG48-44-SS	PG48	36~44	60	15	71/65	1

# EMC 型-屏蔽不锈钢电缆接头-G

EMC-type - EMC Stainless steel cable gland

- 产品材料: 默认 304, 密封件为 EPDM 橡胶
  - 防护等级: IP68
  - 工作温度:  $-40^{\circ} \sim 105^{\circ}$
  - 阻燃等级: UL94V-2, 可定制 V0 级阻燃
  - 订购说明: 默认不附螺母
- ☆特别提示: 带\*为非标产品, 可能有一定的交期

- 
- Materials: SUS304+EPDM
  - Waterproof: IP68
  - Temperature:  $-40^{\circ} \sim 105^{\circ}$ , Short-term  $120^{\circ}$
  - fire prevention: UL94V-2, Customizable V0
  - Ordering Information: Without nut
- ☆Special tips: With \* to be customized



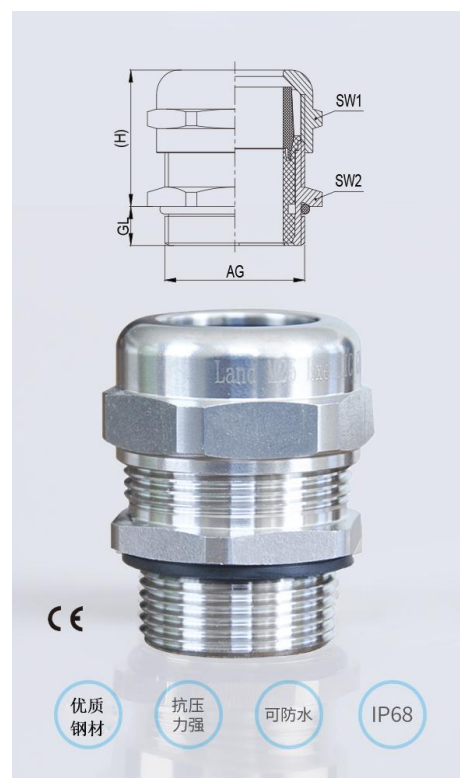
蓝江产品型号	螺纹规格	电缆范围	建议开孔	螺纹长度	扳手尺寸	包装
Product model	Thread size	Cable range	Opening size	Thread length	Wrench Size	quantity
PN.	G (PF)	mm	mm	mm	nut/cap mm	Pcs/bag
EMC-G1/4-08-SS	G1/4	4~8	13.5	9	17/17	50
EMC-G1/4-05-SS	G1/4	3~5.5	13.5	9	17/17	50
EMC-G1/4-3.2-SS	G1/4	2~3.2	13.5	9	17/17	50
EMC-G3/8-10-SS	G3/8	6~10	16.6	9.5	21/21	50
EMC-G3/8-07-SS	G3/8	4~7	16.6	9.5	21/21	50
EMC-G3/8-05-SS	G3/8	3~5	16.6	9.5	21/21	50
EMC-G1/2-14-SS	G1/2	8~14	21	12	24/26	50
EMC-G1/2-12-SS	G1/2	7~12	21	12	24/24	50
EMC-G1/2-11-SS	G1/2	6~11	21	12	24/24	50
EMC-G1/2-09-SS	G1/2	5~9	21	12	24/24	50
EMC-G3/4-18-SS	G3/4	13~18	26.6	12	30/31	50
EMC-G3/4-16-SS	G3/4	12~16	26.6	12	30/31	50
EMC-G3/4-14-SS	G3/4	8~14	26.6	12	30/31	50
EMC-G3/4-10-SS	G3/4	6~10	26.6	12	30/31	50
EMC-G1-25-SS	G1	18~25	33.5	15	38/40	20
EMC-G1-22-SS	G1	17~22	33.5	15	38/40	20
EMC-G1-1/4-31-SS	G1-1/4	25~31	42	15	48/50	10
EMC-G1-1/4-25-SS	G1-1/4	18~25	42	15	48/50	10
EMC-G1-1/2-41-SS	G1-1/2	33~41	48	15	55/60	10
EMC-G1-1/2-33-SS	G1-1/2	25~33	48	15	55/60	10
EMC-G1-1/2-31-SS	G1-1/2	25~31	48	15	55/50	10
EMC-G1-1/2-25-SS	G1-1/2	18~25	48	15	55/50	10
EMC-G2-44-SS	G2	36~44	60	15	71/65	1

# EMC 型-屏蔽不锈钢电缆接头-NPT

EMC-type - EMC Stainless steel cable gland

- 产品材料: 默认 304, 密封件为 EPDM 橡胶
  - 防护等级: IP68
  - 工作温度:  $-40^{\circ} \sim 105^{\circ}$
  - 阻燃等级: UL94V-2, 可定制 V0 级阻燃
  - 订购说明: 默认不附螺母
- ☆特别提示: 带\*为非标产品, 可能有一定的交期

- 
- Materials: SUS304+EPDM
  - Waterproof: IP68
  - Temperature:  $-40^{\circ} \sim 105^{\circ}$ , Short-term  $120^{\circ}$
  - fire prevention: UL94V-2, Customizable V0
  - Ordering Information: Without nut
- ☆Special tips: With \* to be customized



蓝江产品型号	螺纹规格	电缆范围	建议开孔	螺纹长度	扳手尺寸	包装
Product model	Thread size	Cable range	Opening size	Thread length	Wrench Size	quantity
PN.	NPT	mm	mm	mm	nut/cap mm	Pcs/bag
EMC-NPT1/4-08-SS	NPT1/4	4~8	13.5	9	17/17	50
EMC-NPT1/4-05-SS	NPT1/4	3~5.5	13.5	9	17/17	50
EMC-NPT1/4-3.2-SS	NPT1/4	2~3.2	13.5	9	17/17	50
EMC-NPT3/8-10-SS	NPT3/8	6~10	16.6	10	21/21	50
EMC-NPT3/8-07-SS	NPT3/8	4~7	16.6	10	21/21	50
EMC-NPT3/8-05-SS	NPT3/8	3~5	16.6	10	21/21	50
EMC-NPT1/2-14-SS	NPT1/2	8~14	21	13	24/26	50
EMC-NPT1/2-12-SS	NPT1/2	7~12	21	11	24/24	50
EMC-NPT1/2-11-SS	NPT1/2	6~11	21	11	24/24	50
EMC-NPT1/2-09-SS	NPT1/2	5~9	21	11	24/24	50
EMC-NPT3/4-18-SS	NPT3/4	13~18	26.6	13	30/31	50
EMC-NPT3/4-16-SS	NPT3/4	12~16	26.6	13	30/31	50
EMC-NPT3/4-14-SS	NPT3/4	8~14	26.6	13	30/31	50
EMC-NPT3/4-10-SS	NPT3/4	6~10	26.6	13	30/31	50
EMC-NPT1-25-SS	NPT1	18~25	33.5	15	38/40	20
EMC-NPT1-22-SS	NPT1	17~22	33.5	15	38/40	20
EMC-NPT1-1/4-31-SS	NPT1-1/4	25~31	42	15	48/50	10
EMC-NPT1-1/4-25-SS	NPT1-1/4	18~25	42	15	48/50	10
EMC-NPT1-1/2-41-SS	NPT1-1/2	33~41	48	15	55/60	10
EMC-NPT1-1/2-33-SS	NPT1-1/2	25~33	48	15	55/60	10
EMC-NPT1-1/2-31-SS	NPT1-1/2	25~31	48	15	55/50	10
EMC-NPT1-1/2-25-SS	NPT1-1/2	18~25	48	15	55/50	10
EMC-NPT2-44-SS	NPT2	36~44	60	15	71/65	1

# C 型-锥形硅胶不锈钢电缆接头

C-type - Conical seal Stainless steel cable gland

- 产品材料: 默认 304, 密封件为硅胶
  - 防护等级: IP68
  - 工作温度:  $-20^{\circ} \sim 200^{\circ}$
  - 阻燃等级: UL94V-2, 可定制 V0 级阻燃
  - 订购说明: 默认不附螺母
- ☆特别提示: 带\*为非标产品, 可能有一定的交期

- 
- Materials: SUS304+silica gel
  - Waterproof: IP68
  - Temperature:  $-20^{\circ} \sim 200^{\circ}$
  - fire prevention: UL94V-2, Customizable V0
  - Ordering Information: Without nut
- ☆Special tips: With \* to be customized



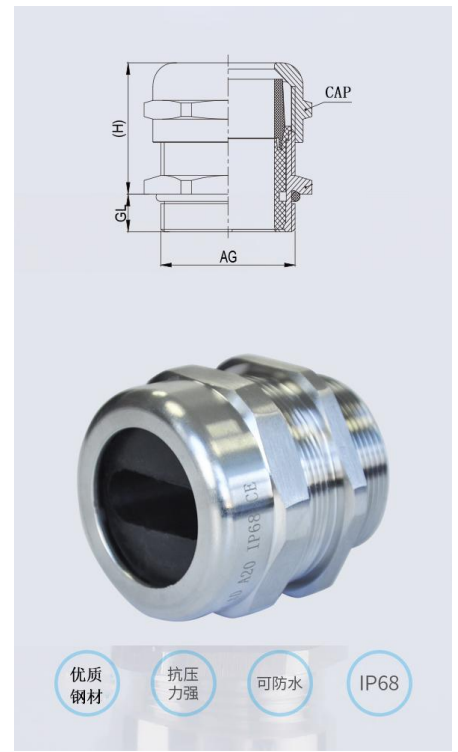
蓝江产品型号	螺纹规格	电缆范围	建议开孔	螺纹长度	扳手尺寸	包装
Product model	Thread size	Cable range	Opening size	Thread length	Wrench Size	quantity
PN.	M-PG-G-NPT	mm	mm	mm	nut/cap mm	Pcs/bag
MG12C-06-SS	M12×1.5	3~6	12.5	7	17	50
MG14C-08-SS	M14×1.5	5~8	14.5	7	17	50
MG16C-08-SS	M16×1.5	5~8	16.5	8	18	50
MG18C-10-SS	M18×1.5	8~10	18.5	8	20	50
MG20C-12-SS	M20×1.5	10~12	20.5	8	22	50
PG7C-06-SS	PG7	3~6	13	7	17	50
PG9C-08-SS	PG9	5~8	15.5	7	17	50
PG11C-10-SS	PG11	8~10	19	7	20	50
PG13.5C-12-SS	PG13.5	10~12	21	8	22	50

# 扁孔不锈钢电缆接头

Flat hole Stainless steel cable gland

- 产品材料: 默认 304, 密封件为硅胶
  - 防护等级: IP68
  - 工作温度:  $-20^{\circ} \sim 200^{\circ}$
  - 阻燃等级: UL94V-2, 可定制 V0 级阻燃
  - 订购说明: 默认不附螺母
- ☆特别提示: 带\*为非标产品, 可能有一定的交期

- 
- Materials: SUS304+silica gel
  - Waterproof: IP68
  - Temperature:  $-20^{\circ} \sim 200^{\circ}$
  - fire prevention: UL94V-2, Customizable V0
  - Ordering Information: Without nut
- ☆Special tips: With \* to be customized



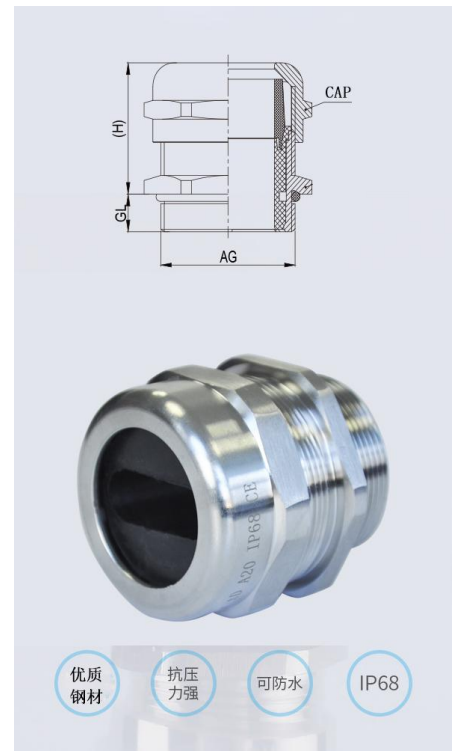
蓝江产品型号	螺纹规格	扁线尺寸	建议开孔	螺纹长度	扳手尺寸	包装
Product model	Thread size	Cable size	Opening size	Thread length	Wrench Size	quantity
PN.	Metric	H&W mm	AG mm	GL mm	nut/cap mm	Pcs/bag
MG20-0410-SS	M20×1.5	4*10	20.5	12	24/26	50
MG20-0814-SS	M20×1.5	8*14	20.5	12	24/26	50
MG20S-0508-SS	M20×1.5	5*8	20.5	12	24/24	50
MG20S-0712-SS	M20×1.5	7*12	20.5	12	24/24	50
MG22-0410-SS	M22×1.5	4*10	22.5	12	26/26	50
MG22-0814-SS	M22×1.5	8*14	22.5	12	26/26	50
MG24-0410-SS	M24×1.5	4*10	24.5	10.5	28/26	50
MG24-0814-SS	M24×1.5	8*14	24.5	10.5	28/26	50
MG25-0614-SS	M25×1.5	6*14	25.5	12	30/31	50
MG27-0614-SS	M27×1.5/2.0	6*14	27.5	12	30/31	50
MG30-0519-SS	M30×1.5/2.0	5*19	30.5	12.5	34/40	50
MG30-0614-SS	M30×1.5/2.0	6*14	30.5	12.5	34/31	50
MG32-0519-SS	M32×1.5	5*19	32.5	12.5	38/40	20
MG32S-0614-SS	M32×1.5	6*14	32.5	12	38/31	20
MG33-0519-SS	M33×2.0	5*19	33.5	14.5	38/40	20
MG36-0519-SS	M36×1.5/2.0	5*19	36.5	13	42/40	20
MG40-1230-SS	M40×1.5/2.0	12*30	40.5	14	48/50	10
MG40-1232-SS	M40×1.5/2.0	12*32	40.5	14	48/50	10
MG40S-0519-SS	M40×1.5	5*19	40.5	14	48/40	10
MG42-1230-SS	M42×2.0	12*30	42.5	15	48/50	10
MG42-1232-SS	M42×2.0	12*32	42.5	15	48/50	10
MG48-1230-SS	M48×2.0	12*30	48.5	15	58/50	10
MG48-1232-SS	M48×2.0	12*32	48.5	15	58/50	10
MG50-1334-SS	M50×1.5	13*34	50.5	15	58/60	10
MG63-1641-SS	M63×1.5	16.5*39.5	63.5	15	71/76	1
MG63S-0542-SS	M63×1.5	5.5*42.5	63.5	15	71/65	1

# 扁孔不锈钢电缆接头

Flat hole Stainless steel cable gland

- 产品材料: 默认 304, 密封件为硅胶
  - 防护等级: IP68
  - 工作温度:  $-20^{\circ} \sim 200^{\circ}$
  - 阻燃等级: UL94V-2, 可定制 V0 级阻燃
  - 订购说明: 默认不附螺母
- ☆特别提示: 带\*为非标产品, 可能有一定的交期

- 
- Materials: SUS304+silica gel
  - Waterproof: IP68
  - Temperature:  $-20^{\circ} \sim 200^{\circ}$
  - fire prevention: UL94V-2, Customizable V0
  - Ordering Information: Without nut
- ☆Special tips: With \* to be customized



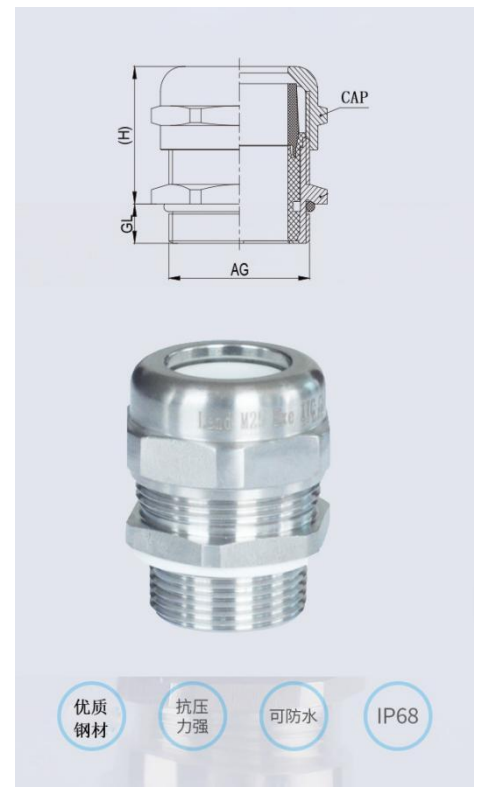
蓝江产品型号	螺纹规格	电缆范围	建议开孔	螺纹长度	扳手尺寸	包装
Product model	Thread size	Cable range	Opening size	Thread length	Wrench Size	quantity
PN.	PG	mm	mm	mm	nut/cap mm	Pcs/bag
PG13.5-0508-SS	PG13.5	5*8	21	10.5	24/24	50
PG13.5-0712-SS	PG13.5	7*12	21	10.5	24/24	50
PG16-0410-SS	PG16	4*10	23	12	26/26	50
PG16-0814-SS	PG16	8*14	23	12	26/26	50
PG21-0614-SS	PG21	6*14	28.5	12	32/31	50
PG29-0519-SS	PG29	5*19	37.2	12.5	40/40	20
PG36-1230-SS	PG36	12*30	47.5	15	58/50	10
PG42-1334-SS	PG42	13*34	54.5	15	60/60	10
PG48-0542-SS	PG48	5.5*42.5	60	15	71/65	1
G1/2-0712-SS	G1/2	7*12	21	12	24/24	50
G1/2-0410-SS	G1/2	4*10	21	12	24/26	50
G1/2-0814-SS	G1/2	8*14	21	12	24/26	50
G3/4-0614-SS	G3/4	6*14	26.6	12	30/31	50
G1-0519-SS	G1	5*19	33.5	15	38/40	20
G1-1/4-1230-SS	G1-1/4	12*30	42	15	48/50	10
G1-1/2-1232-SS	G1-1/2	12*32	48	15	55/50	10
G2-0542-SS	G2	5.5*42.5	60	15	71/65	1
NPT1/2-0508-SS	NPT1/2	5*8	21	11	24/24	50
NPT1/2-0712-SS	NPT1/2	7*12	21	11	24/24	50
NPT1/2-0410-SS	NPT1/2	4*10	21	13	24/26	50
NPT1/2-0814-SS	NPT1/2	8*14	21	13	24/26	50
NPT3/4-0614-SS	NPT3/4	6*14	26.6	13	30/31	50
NPT1-0519-SS	NPT1	5*19	33.5	15	38/40	20
NPT1-1/4-1230-SS	NPT1-1/4	12*30	42	15	48/50	10
NPT1-1/2-1232-SS	NPT1-1/2	12*32	48	15	55/50	10
NPT2-0542-SS	NPT2	5.5*42.5	60	15	71/65	1

# HT 型-耐高温硅胶不锈钢电缆接头

HT-type - High temperature Stainless steel cable gland

- 产品材料: 默认 304, 密封件为硅胶
  - 防护等级: IP68
  - 工作温度:  $-20^{\circ} \sim 200^{\circ}$
  - 阻燃等级: UL94V-2, 可定制 V0 级阻燃
  - 订购说明: 默认不附螺母
- ☆特别提示: 带\*为非标产品, 可能有一定的交期

- 
- Materials: SUS304+silica gel
  - Waterproof: IP68
  - Temperature:  $-20^{\circ} \sim 200^{\circ}$
  - fire prevention: UL94V-2, Customizable V0
  - Ordering Information: Without nut
- ☆Special tips: With \* to be customized



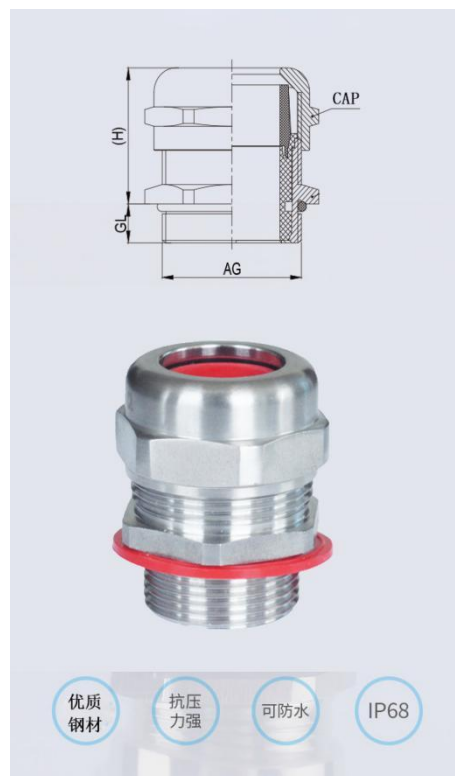
蓝江产品型号	螺纹规格	电缆范围	建议开孔	螺纹长度	扳手尺寸	包装
Product model	Thread size	Cable range	Opening size	Thread length	Wrench Size	quantity
PN.	Metric	φ mm	AG mm	GL mm	nut/cap mm	Pcs/bag
MG12-08-HT-SS	M12×1.5	4~8	12.5	9	15/17	50
MG14-08-HT-SS	M14×1.5	4~8	14.5	9	17/17	50
MG16-08-HT-SS	M16×1.5	4~8	16.5	9.5	20/17	50
MG20-12-HT-SS	M20×1.5	7~12	20.5	12	24/24	50
MG20-14-HT-SS	M20×1.5	8~14	20.5	12	24/26	50
MG22-14-HT-SS	M22×1.5	8~14	22.5	12	26/26	50
MG24-14-HT-SS	M24×1.5	8~14	24.5	10.5	28/26	50
MG25-18-HT-SS	M25×1.5	13~18	25.5	12	30/31	50
MG27-18-HT-SS	M27×1.5/2.0	13~18	27.5	12	30/31	50
MG30-25-HT-SS	M30×1.5/2.0	18~25	30.5	12.5	34/40	50
MG32-25-HT-SS	M32×1.5	18~25	32.5	12.5	38/40	20
MG36-25-HT-SS	M36×1.5/2.0	18~25	36.5	13	42/40	20
MG40-31-HT-SS	M40×1.5	25~31	40.5	14	48/50	10
PG7-08-HT-SS	PG7	4~8	13	9	15/17	50
PG9-08-HT-SS	PG9	4~8	15.5	9	17/17	50
PG13.5-14-HT-SS	PG13.5	8~14	21	10.5	24/26	50
PG16-14-HT-SS	PG16	8~14	23	12	26/26	50
PG21-18-HT-SS	PG21	13~18	28.5	12	32/31	50
PG29-25-HT-SS	PG29	18~25	37.2	12.5	40/40	20
PG36-31-HT-SS	PG36	25~31	47.5	15	58/50	10
G1/4-08-HT-SS	G1/4	4~8	13.5	9	17/17	50
G1/2-14-HT-SS	G1/2	8~14	21	12	24/26	50
G3/4-18-HT-SS	G3/4	13~18	26.6	12	30/31	50
G1-25-HT-SS	G1	18~25	33.5	15	38/40	20

# V0 型-阻燃不锈钢电缆接头

V0-type - Fireproof Stainless steel cable gland

- 产品材料: 默认 304, 密封件为 EPDM
  - 防护等级: IP68
  - 工作温度:  $-40^{\circ} \sim 105^{\circ}$
  - 阻燃等级: UL94V-0
  - 订购说明: 默认不附螺母
- ☆特别提示: 带\*为非标产品, 可能有一定的交期

- 
- Materials: SUS304+EPDM
  - Waterproof: IP68
  - Temperature:  $-40^{\circ} \sim 105^{\circ}$
  - fire prevention: UL94V-0
  - Ordering Information: Without nut
- ☆Special tips: With \* to be customized



蓝江产品型号	螺纹规格	电缆范围	建议开孔	螺纹长度	扳手尺寸	包装
Product model	Thread size	Cable range	Opening size	Thread length	Wrench Size	quantity
PN.	M-PG-G-NPT	$\phi$ mm	AG mm	GL mm	nut/cap mm	Pcs/bag
MG12-08-V0-SS	M12×1.5	4~8	12.5	9	15/17	50
MG14-08-V0-SS	M14×1.5	4~8	14.5	9	17/17	50
MG16-08-V0-SS	M16×1.5	4~8	16.5	9.5	20/17	50
MG16-10-V0-SS	M16×1.5	6~10	16.5	9.5	20/21	50
MG20-14-V0-SS	M20×1.5	8~14	20.5	12	24/26	50
MG20-12-V0-SS	M20×1.5	8~12	20.5	12	24/26	50
MG22-14-V0-SS	M22×1.5	8~14	22.5	12	26/26	50
MG24-14-V0-SS	M24×1.5	8~14	24.5	10.5	28/26	50
MG25-18-V0-SS	M25×1.5	13~18	25.5	12	30/31	50
MG27-18-V0-SS	M27×1.5/2.0	13~18	27.5	12	30/31	50
MG30-18-V0-SS	M30×1.5/2.0	13~18	30.5	12.5	34/31	50
MG32-22-V0-SS	M32×1.5	17~22	32.5	12.5	38/40	20
MG40-31-V0-SS	M40×1.5/2.0	25~31	40.5	14	48/50	10
PG7-08-V0-SS	PG7	4~8	13	9	15/17	50
PG9-08-V0-SS	PG9	4~8	15.5	9	17/17	50
PG11-10-V0-SS	PG11	6~10	19	9.5	21/21	50
PG13.5-14-V0-SS	PG13.5	8~14	21	10.5	24/26	50
PG13.5-12-V0-SS	PG13.5	7~12	21	10.5	24/26	50
PG16-14-V0-SS	PG16	8~14	23	12	26/26	50
PG21-18-V0-SS	PG21	13~18	28.5	12	32/31	50
PG29-25-V0-SS	PG29	18~25	37.2	12.5	40/40	20
PG36-31-V0-SS	PG36	25~31	47.5	15	58/50	10

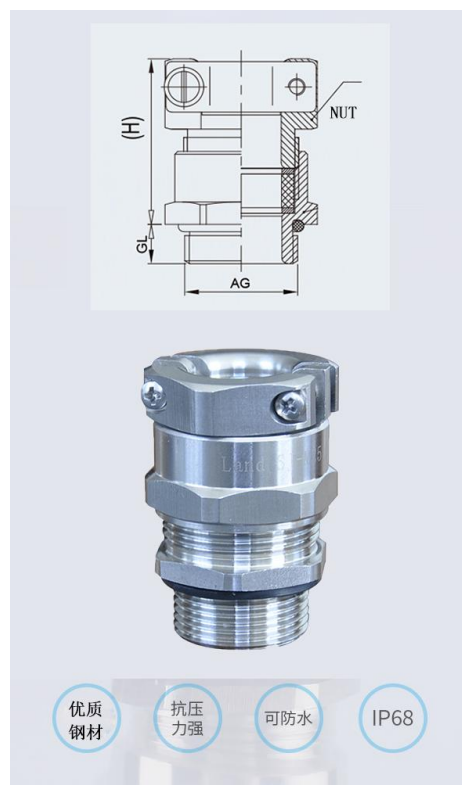


# SJ 型-双锁紧不锈钢电缆接头-M

SJ-type - Double locking Stainless steel cable gland

- 产品材料: 默认 304, 密封件为 EPDM
  - 防护等级: IP68
  - 工作温度:  $-40^{\circ} \sim 105^{\circ}$
  - 阻燃等级: UL94V-2
  - 订购说明: 默认不附螺母
- ☆特别提示: 带\*为非标产品, 可能有一定的交期

- 
- Materials: SUS304+EPDM
  - Waterproof: IP68
  - Temperature:  $-40^{\circ} \sim 105^{\circ}$
  - fire prevention: UL94V-2
  - Ordering Information: Without nut
- ☆Special tips: With \* to be customized



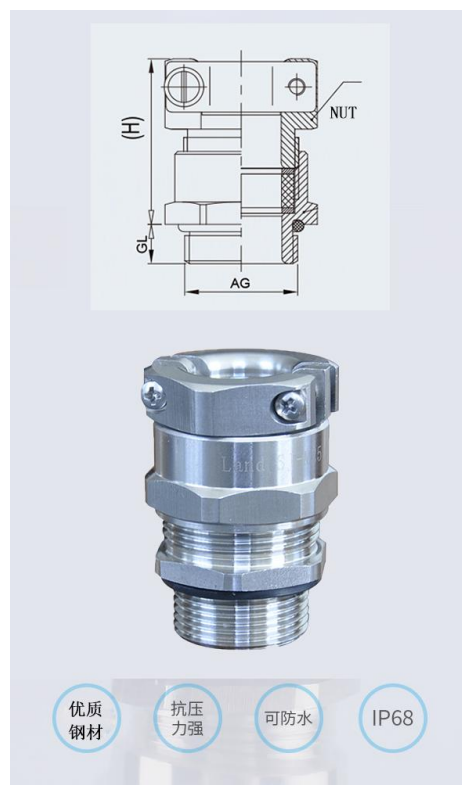
蓝江产品型号	螺纹规格	电缆范围	建议开孔	螺纹长度	扳手尺寸	包装
Product model	Thread size	Cable range	Opening size	Thread length	Wrench Size	quantity
PN.	Metric	$\phi$ mm	AG mm	GL mm	nut/cap mm	Pcs/bag
SJ-MG12-08-SS	M12×1.5	4~8	12.5	9	15/17	50
SJ-MG16-08-SS	M16×1.5	4~8	16.5	9.5	20/17	50
SJ-MG16-10-SS	M16×1.5	6~10	16.5	9.5	20/21	50
SJ-MG18-10-SS	M18×1.5	6~10	18.5	9.5	21/21	50
SJ-MG20-14-SS	M20×1.5	8~14	20.5	12	24/26	50
SJ-MG20-12-SS	M20×1.5	8~12	20.5	12	24/26	50
SJ-MG22-14-SS	M22×1.5	8~14	22.5	12	26/26	50
SJ-MG24-14-SS	M24×1.5	8~14	24.5	10.5	28/26	50
SJ-MG25-18-SS	M25×1.5	13~18	25.5	12	30/32	50
SJ-MG25-16-SS	M25×1.5	12~16	25.5	12	30/32	50
SJ-MG27-18-SS	M27×1.5/2.0	13~18	27.5	12	30/32	50
SJ-MG30-18-SS	M30×1.5/2.0	13~18	30.5	12.5	34/32	50
SJ-MG32-25-SS	M32×1.5	18~25	32.5	12.5	38/40	20
SJ-MG32-22-SS	M32×1.5	17~22	32.5	12.5	38/40	20
SJ-MG33-22-SS	M33×2.0	17~22	33.5	14.5	38/40	20
SJ-MG36-25-SS	M36×1.5/2.0	18~25	36.5	13	42/40	20
SJ-MG40-31-SS	M40×1.5/2.0	25~31	40.5	14	48/50	10
SJ-MG40-25-SS	M40×1.5/2.0	18~25	40.5	14	48/50	10
SJ-MG42-31-SS	M42×2.0	25~31	42.5	15	48/50	10
SJ-MG42-25-SS	M42×2.0	18~25	42.5	15	48/50	10
SJ-MG48-31-SS	M48×2.0	25~31	48.5	15	58/50	10
SJ-MG48-25-SS	M48×2.0	18~25	48.5	15	58/50	10
SJ-MG50-41-SS	M50×1.5	33~41	50.5	15	58/60	10
SJ-MG50-33-SS	M50×1.5	25~33	50.5	15	58/60	10
SJ-MG60-44-SS	M60×2.0	36~44	60.5	15	71/65	1
SJ-MG63-54-SS	M63×1.5	46~54	63.5	15	71/76	1
SJ-MG63S-44-SS	M63×1.5	36~44	63.5	15	71/65	1

# SJ 型-双锁紧不锈钢电缆接头-PG

SJ-type - Double locking Stainless steel cable gland

- 产品材料: 默认 304, 密封件为 EPDM
  - 防护等级: IP68
  - 工作温度:  $-40^{\circ} \sim 105^{\circ}$
  - 阻燃等级: UL94V-2
  - 订购说明: 默认不附螺母
- ☆特别提示: 带\*为非标产品, 可能有一定的交期

- 
- Materials: SUS304+EPDM
  - Waterproof: IP68
  - Temperature:  $-40^{\circ} \sim 105^{\circ}$
  - fire prevention: UL94V-2
  - Ordering Information: Without nut
- ☆Special tips: With \* to be customized



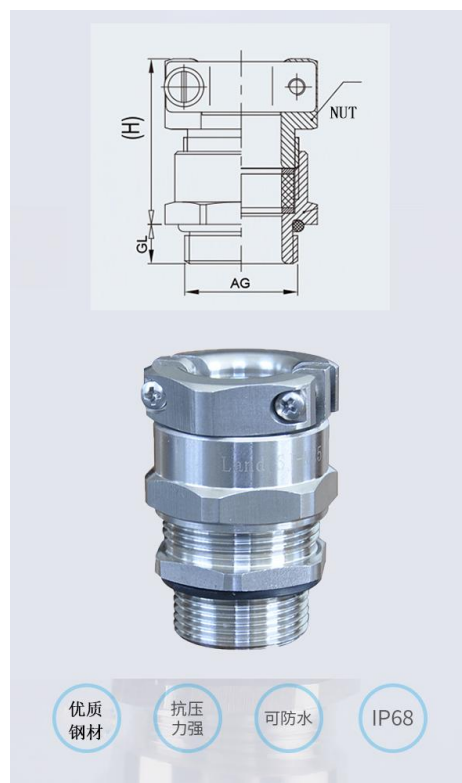
蓝江产品型号	螺纹规格	电缆范围	建议开孔	螺纹长度	扳手尺寸	包装
Product model	Thread size	Cable range	Opening size	Thread length	Wrench Size	quantity
PN.	PG	mm	mm	mm	nut/cap mm	Pcs/bag
PG7-08-SS	PG7	4~8	13	9	15/17	50
PG9-08-SS	PG9	4~8	15.5	9	17/17	50
PG11-10-SS	PG11	6~10	19	9.5	21/21	50
SJ-PG13.5-14-SS	PG13.5	8~14	21	10.5	24/26	50
SJ-PG13.5-12-SS	PG13.5	7~12	21	10.5	24/26	50
SJ-PG16-14-SS	PG16	8~14	23	12	26/26	50
SJ-PG16-12-SS	PG16	8~12	23	12	26/26	50
SJ-PG19-14-SS	PG19	8~14	24.5	10.5	28/26	50
SJ-PG21-18-SS	PG21	13~18	28.5	12	32/32	50
SJ-PG21-16-SS	PG21	12~16	28.5	12	32/32	50
SJ-PG21-14-SS	PG21	8~14	28.5	12	32/32	50
SJ-PG21-10-SS	PG21	6~10	28.5	12	32/32	50
SJ-PG25-18-SS	PG25	13~18	30.2	12.5	34/32	50
SJ-PG25-16-SS	PG25	12~16	30.2	12.5	34/32	50
SJ-PG29-25-SS	PG29	18~25	37.2	12.5	40/40	20
SJ-PG29-22-SS	PG29	17~22	37.2	12.5	40/40	20
SJ-PG36-31-SS	PG36	25~31	47.5	15	58/50	10
SJ-PG36-25-SS	PG36	18~25	47.5	15	58/50	10
SJ-PG42-41-SS	PG42	33~41	54.5	15	60/60	10
SJ-PG42-33-SS	PG42	25~33	54.5	15	60/60	10
SJ-PG48-44-SS	PG48	36~44	60	15	71/65	1

# SJ 型-双锁紧不锈钢电缆接头-G/NPT

SJ-type - Double locking Stainless steel cable gland

- 产品材料: 默认 304, 密封件为 EPDM
  - 防护等级: IP68
  - 工作温度:  $-40^{\circ} \sim 105^{\circ}$
  - 阻燃等级: UL94V-2
  - 订购说明: 默认不附螺母
- ☆特别提示: 带\*为非标产品, 可能有一定的交期

- 
- Materials: SUS304+EPDM
  - Waterproof: IP68
  - Temperature:  $-40^{\circ} \sim 105^{\circ}$
  - fire prevention: UL94V-2
  - Ordering Information: Without nut
- ☆Special tips: With \* to be customized



## G 牙双锁紧接头/G double locking gland

蓝江产品型号	螺纹规格	电缆范围	建议开孔	螺纹长度	扳手尺寸	包装数量
Product model	Thread size	Cable range	Opening size	Thread length	Wrench Size	quantity
PN.	G (PF)	mm	mm	mm	nut/cap mm	Pcs/bag
SJ-G1/2-14-SS	G1/2	8~14	21	12	24/26	50
SJ-G1/2-12-SS	G1/2	7~12	21	12	24/26	50
SJ-G3/4-18-SS	G3/4	13~18	26.6	12	30/31	50
SJ-G1-25-SS	G1	18~25	33.5	15	38/40	20
SJ-G1-1/4-31-SS	G1-1/4	25~31	42	15	48/50	10
SJ-G1-1/2-31-SS	G1-1/2	25~31	48	15	55/50	10
SJ-G2-44-SS	G2	36~44	60	15	71/65	1

## NPT 牙双锁紧接头/NPT double locking gland

蓝江产品型号	螺纹规格	电缆范围	建议开孔	螺纹长度	扳手尺寸	包装
Product model	Thread size	Cable range	Opening size	Thread length	Wrench Size	quantity
PN.	NPT	mm	mm	mm	nut/cap mm	Pcs/bag
SJ-NPT1/2-14-SS	NPT1/2	8~14	21	13	24/26	50
SJ-NPT1/2-12-SS	NPT1/2	7~12	21	11	24/26	50
SJ-NPT3/4-18-SS	NPT3/4	13~18	26.6	13	30/31	50
SJ-NPT1-25-SS	NPT1	18~25	33.5	15	38/40	20
SJ-NPT1-1/4-31-SS	NPT1-1/4	25~31	42	15	48/50	10
SJ-NPT1-1/2-31-SS	NPT1-1/2	25~31	48	15	55/50	10
SJ-NPT2-44-SS	NPT2	36~44	60	15	71/65	1

# F 型-内螺纹不锈钢电缆接头-M/PG

F-type - Female thread Stainless steel cable gland

- 产品材料: 默认 304, 密封件为 EPDM
  - 防护等级: IP68
  - 工作温度:  $-40^{\circ} \sim 105^{\circ}$
  - 阻燃等级: UL94V-2
- ☆特别提示: 带\*为非标产品, 可能有一定的交期

- 
- Materials: SUS304+EPDM
  - Waterproof: IP68
  - Temperature:  $-40^{\circ} \sim 105^{\circ}$
  - fire prevention: UL94V-2
  - Ordering Information: Without nut
- ☆Special tips: With \* to be customized



蓝江产品型号	螺纹规格	电缆范围	螺纹长度	扳手尺寸	包装
Product model	Thread size	Cable range	Thread length	Wrench Size	quantity
PN.	Metric	Φ mm	GL mm	cap mm	Pcs/bag
MG12F-08-SS	M12×1.5	4~8	10	17	50
MG16F-10-SS	M16×1.5	6~10	11	22	50
MG18F-10-SS	M18×1.5	6~10	11	22	50
MG20F-14-SS	M20×1.5	8~14	13	26	50
MG20F-12-SS	M20×1.5	7~12	13	24	50
MG22F-14-SS	M22×1.5	8~14	13	26	50
MG24F-14-SS	M24×1.5	8~14	12	26	50
MG25F-18-SS	M25×1.5	13~18	13	32	50
MG30F-18-SS	M30×1.5/2.0	13~18	13	34	50
MG32F-25-SS	M32×1.5	18~25	13	40	20
MG40F-31-SS	M40×1.5/2.0	25~31	15	50	10
MG50F-41-SS	M50×1.5	33~41	15	60	10
MG63F-54-SS	M63×1.5	46~54	15	76	1
MG63F-44-SS	M63×1.5	36~44	15	65	1
PG7F-08-SS	PG7	4~8	10	17	50
PG9F-08-SS	PG9	4~8	10	17	50
PG11F-10-SS	PG11	6~10	10	22	50
PG13.5F-12-SS	PG13.5	7~12	12	24	50
PG16F-14-SS	PG16	8~14	13	26	50
PG21F-18-SS	PG21	13~18	13	32	50
PG29F-25-SS	PG29	18~25	13	40	20
PG36F-31-SS	PG36	25~31	15	50	10
PG42F-41-SS	PG42	33~41	15	60	10
PG48F-44-SS	PG48	36~44	15	65	1

# F 型-内螺纹不锈钢电缆接头-G/NPT

F-type - Female thread Stainless steel cable gland

- 产品材料: 默认 304, 密封件为 EPDM
  - 防护等级: IP68
  - 工作温度:  $-40^{\circ} \sim 105^{\circ}$
  - 阻燃等级: UL94V-2
- ☆特别提示: 带\*为非标产品, 可能有一定的交期

- 
- Materials: SUS304+EPDM
  - Waterproof: IP68
  - Temperature:  $-40^{\circ} \sim 105^{\circ}$
  - fire prevention: UL94V-2
  - Ordering Information: Without nut
- ☆Special tips: With \* to be customized



蓝江产品型号	螺纹规格	电缆范围	螺纹长度	扳手尺寸	包装
Product model	Thread size	Cable range	Thread length	Wrench Size	quantity
PN.	Metric	$\Phi$ mm	GL mm	cap mm	Pcs/bag
G1/4F-08-SS	G1/4	4~8	10	17	50
G3/8F-10-SS	G3/8	6~10	10	22	50
G1/2F-12-SS	G1/2	7~12	13	24	50
G3/4F-18-SS	G3/4	13~18	13	32	50
G1F-25-SS	G1	18~25	15	40	20
G1-1/4F-31-SS	G1-1/4	25~31	15	50	10
G1-1/2F-31-SS	G1-1/2	25~31	15	50	10
G2F-44-SS	G2	36~44	15	65	1
NPT1/4F-08-SS	NPT1/4	4~8	10	17	50
NPT3/8-10-SS	NPT3/8	6~10	10	22	50
NPT1/2F-12-SS	NPT1/2	7~12	12	24	50
NPT3/4F-18-SS	NPT3/4	13~18	13	32	50
NPT1F-25-SS	NPT1	18~25	15	40	20
NPT1-1/4F-31-SS	NPT1-1/4	25~31	15	50	10
NPT1-1/2F-31-SS	NPT1-1/2	25~31	15	50	10
NPT2F-44-SS	NPT2	36~44	15	65	1

# JGEX 型-接管式不锈钢电缆接头-M

JGEX-type - Connecting pipe Stainless steel cable gland

- 产品材料: 默认 304, 密封件为 EPDM
  - 防护等级: IP68
  - 工作温度:  $-40^{\circ} \sim 105^{\circ}$
  - 阻燃等级: UL94V-2
- ☆特别提示: 带\*为非标产品, 可能有一定的交期

- 
- Materials: SUS304+EPDM
  - Waterproof: IP68
  - Temperature:  $-40^{\circ} \sim 105^{\circ}$
  - fire prevention: UL94V-2
  - Ordering Information: Without nut
- ☆Special tips: With \* to be customized



蓝江产品型号	外螺纹	内螺纹	电缆范围	螺纹长度	扳手尺寸	包装
Product model	M-thread	F-thread	Cable range	Thread length	Wrench Size	quantity
PN.	M	F	$\phi$ mm	GL mm	nut/cap mm	Pcs/bag
M12M-M12F-08-SS	M12×1.5	M12×1.5	4~8	9	15/17	50
M16M-M16F-08-SS	M16×1.5	M16×1.5	4~8	9.5	20/17	50
M16M-M16F-10-SS	M16×1.5	M16×1.5	6~10	9.5	20/21	50
M20M-M20F-12-SS	M20×1.5	M20×1.5	7~12	12	24/24	50
M20M-G1/2F-12-SS	M20×1.5	G1/2	7~12	12	24/24	50
M20M-G3/4F-12-SS	M20×1.5	G3/4	7~12	12	24/31	50
M20M-NPT1/2F-12-SS	M20×1.5	NPT1/2	7~12	12	24/24	50
M20M-NPT3/4F-12-SS	M20×1.5	NPT3/4	7~12	12	24/31	50
M20M-M20F-14-SS	M20×1.5	M20×1.5	8~14	12	24/26	50
*M20M-G1/2F-14-SS	M20×1.5	G1/2	8~14	12	24/26	50
*M20M-G3/4F-14-SS	M20×1.5	G3/4	8~14	12	24/31	50
*M20M-NPT1/2F-14-SS	M20×1.5	NPT1/2	8~14	12	24/26	50
*M20M-NPT3/4F-14-SS	M20×1.5	NPT3/4	8~14	12	24/31	50
M25M-M25F-18-SS	M25×1.5	M25×1.5	13~18	12	30/31	50
M25M-G3/4-18-SS	M25×1.5	G3/4	13~18	12	30/31	50
M25M-NPT3/4F-18-SS	M25×1.5	NPT3/4	13~18	12	30/31	50
M32M-M32F-25-SS	M32×1.5	M32×1.5	18~25	12.5	38/40	20
M32M-G1F-25-SS	M32×1.5	G1	18~25	12.5	38/40	20
M32M-NPT1F-25-SS	M32×1.5	NPT1	18~25	12.5	38/40	20
M40M-M40F-31-SS	M40×1.5	M40×1.5	25~31	14	48/50	10
M40M-G1-1/4F-31-SS	M40×1.5	G1-1/4	25~31	14	48/50	10
M40M-NPT1-1/4F-31-SS	M40×1.5	NPT1-1/4	25~31	14	48/50	10
M50M-M50F-41-SS	M50×1.5	M50×1.5	33~41	15	58/60	10
M50M-G1-1/2-41-SS	M50×1.5	G1-1/2	33~41	15	58/60	10
M50M-NPT1-1/2-41-SS	M50×1.5	NPT1-1/2	33~41	15	58/60	10
M63M-M63F-44-SS	M63×1.5	M63×1.5	36~44	15	71/65	1
M63M-G2F-44-SS	M63×1.5	G2	36~44	15	71/65	1
M63M-NPT2F-44-SS	M63×1.5	NPT2	36~44	15	71/65	1

# JGEX 型-接管式不锈钢电缆接头-G

JGEX-type - Connecting pipe Stainless steel cable gland

- 产品材料: 默认 304, 密封件为 EPDM
  - 防护等级: IP68
  - 工作温度:  $-40^{\circ} \sim 105^{\circ}$
  - 阻燃等级: UL94V-2
- ☆特别提示: 带\*为非标产品, 可能有一定的交期

- 
- Materials: SUS304+EPDM
  - Waterproof: IP68
  - Temperature:  $-40^{\circ} \sim 105^{\circ}$
  - fire prevention: UL94V-2
  - Ordering Information: Without nut
- ☆Special tips: With \* to be customized



蓝江产品型号	外螺纹	内螺纹	电缆范围	螺纹长度	扳手尺寸	包装
Product model	M-thread	F-thread	Cable range	Thread length	Wrench Size	quantity
PN.	G	F	$\phi$ mm	GL mm	nut/cap mm	Pcs/bag
G1/2M-G1/2F-12-SS	G1/2	G1/2	7~12	12	24/24	50
*G1/2M-G3/4F-12-SS	G1/2	G3/4	7~12	12	24/31	50
*G1/2M-M20F-12-SS	G1/2	M20×1.5	7~12	12	24/24	50
*G1/2M-M25F-12-SS	G1/2	M25×1.5	7~12	12	24/31	50
*G1/2M-NPT1/2F-12-SS	G1/2	NPT1/2	7~12	12	24/24	50
*G1/2M-NPT3/4F-12-SS	G1/2	NPT3/4	7~12	12	24/31	50
G3/4M-G3/4F-18-SS	G3/4	G3/4	13~18	12	31/31	50
G3/4M-G1/2F-12-SS	G3/4	G1/2	7~12	12	31/24	50
*G3/4M-M25F-18-SS	G3/4	M25×1.5	13~18	12	31/31	50
*G3/4M-M20F-12-SS	G3/4	M20×1.5	7~12	12	31/24	50
*G3/4M-NPT3/4F-18-SS	G3/4	NPT3/4	13~18	12	30/31	50
*G3/4M-NPT1/2F-18-SS	G3/4	NPT1/2	7~12	12	30/24	50
G1M-G1F-25-SS	G1	G1	18~25	12.5	38/40	20
*G1M-NPT1F-25-SS	G1	NPT1	18~25	12.5	38/40	20
G1M-M32F-25-SS	G1	M32×1.5	18~25	12.5	38/40	20
G1-1/4M-G1-1/4F-31-SS	G1-1/4	G1-1/4	25~31	14	48/50	10
*G1-1/4-NPT1-1/4F-31-SS	G1-1/4	NPT1-1/4	25~31	14	48/50	10
G1-1/2M-G1-1/2-31-SS	G1-1/2	G1-1/2	25~31	15	58/50	10
*G1-1/2M-NPT1-1/2-31-SS	G1-1/2	NPT1-1/2	25~31	15	58/50	10
G2M-G2F-44-SS	G2	G2	36~44	15	71/65	1
*G2M-NPT2F-44-SS	G2	NPT2	36~44	15	71/65	1

# JGEX 型-接管式不锈钢电缆接头-NPT

JGEX-type - Connecting pipe Stainless steel cable gland

- 产品材料: 默认 304, 密封件为 EPDM
  - 防护等级: IP68
  - 工作温度:  $-40^{\circ} \sim 105^{\circ}$
  - 阻燃等级: UL94V-2
- ☆特别提示: 带\*为非标产品, 可能有一定的交期

- 
- Materials: SUS304+EPDM
  - Waterproof: IP68
  - Temperature:  $-40^{\circ} \sim 105^{\circ}$
  - fire prevention: UL94V-2
  - Ordering Information: Without nut
- ☆Special tips: With \* to be customized



蓝江产品型号	外螺纹	内螺纹	电缆范围	螺纹长度	扳手尺寸	包装
Product model	M-thread	F-thread	Cable range	Thread length	Wrench Size	QYT
PN.	NPT	F	$\phi$ mm	GL mm	nut/cap mm	Pcs/bag
NPT1/2M-NPT1/2F-12-SS	NPT1/2	NPT1/2	7~12	12	24/24	50
NPT1/2M-NPT3/4F-12-SS	NPT1/2	NPT3/4	7~12	12	24/31	50
NPT1/2M-M20F-12-SS	NPT1/2	M20×1.5	7~12	12	24/24	50
NPT1/2M-M25F-12-SS	NPT1/2	M25×1.5	7~12	12	24/31	50
NPT1/2M-G1/2F-12-SS	NPT1/2	G1/2	7~12	12	24/24	50
NPT1/2M-G3/4F-12-SS	NPT1/2	G3/4	7~12	12	24/31	50
NPT3/4M-NPT3/4F-18-SS	NPT3/4	NPT3/4	13~18	12	30/31	50
NPT3/4M-NPT1/2F-18-SS	NPT3/4	NPT1/2	7~12	12	30/24	50
NPT3/4M-G3/4F-18-SS	NPT3/4	G3/4	13~18	12	31/31	50
NPT3/4M-G1/2F-18-SS	NPT3/4	G1/2	7~12	12	30/24	50
NPT3/4M-M25F-18-SS	NPT3/4	M25×1.5	13~18	12	31/31	50
NPT3/4M-M20F-18-SS	NPT3/4	M20×1.5	7~12	12	30/24	50
NPT1M-NPT1F-25-SS	NPT1	NPT1	18~25	12.5	38/40	20
NPT1M-G1F-25-SS	NPT1	G1	18~25	12.5	38/40	20
NPT1M-M32F-25-SS	NPT1	M32×1.5	18~25	12.5	38/40	20
NPT1-1/4M-G1-1/4F-31-SS	NPT1-1/4	G1-1/4	25~31	14	48/50	10
NPT1-1/4-NPT1-1/4F-31-SS	NPT1-1/4	NPT1-1/4	25~31	14	48/50	10
NPT1-1/2M-G1-1/2-31-SS	NPT1-1/2	G1-1/2	25~31	15	58/50	10
NPT1-1/2M-NPT1-1/2-31-SS	NPT1-1/2	NPT1-1/2	25~31	15	58/50	10
NPT2M-G2F-44-SS	NPT2	G2	36~44	15	71/65	1
NPT2M-NPT2F-44-SS	NPT2	NPT2	36~44	15	71/65	1

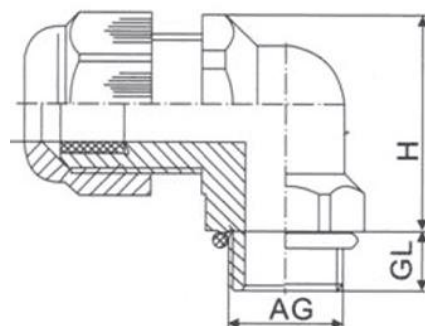


# E 型-90 度不锈钢电缆接头

E-type - 90 degrees Stainless steel cable gland

- 产品材料: 默认 304, 密封件为 EPDM
  - 防护等级: IP68
  - 工作温度:  $-40^{\circ} \sim 105^{\circ}$
  - 阻燃等级: UL94V-2
- ☆特别提示: 带\*为非标产品, 可能有一定的交期

- 
- Materials: SUS304+EPDM
  - Waterproof: IP68
  - Temperature:  $-40^{\circ} \sim 105^{\circ}$
  - fire prevention: UL94V-2
  - Ordering Information: Without nut
- ☆Special tips: With \* to be customized



蓝江产品型号	螺纹规格	英制螺纹	电缆范围	建议开孔	螺纹长度	主体高度	包装
Product model	Thread size		Cable range	Opening size	Thread length	Body height	QYT
PN.	Metric	G (PF)	$\phi$ mm	AG mm	GL mm	H mm	Pcs/bag
MG20-E-10-SS	M18×1.5	G3/8	6~10	20.5	15	50	20
MG20-E-12-SS	M20×1.5	G1/2	7~12	20.5	15	52	50
MG20-E-14-SS	M20×1.5	G1/2	8~14	20.5	15	52	50
MG25-E-10-SS	M25×1.5	G3/4	6~10	25.5	15	57	50
MG25-E-14-SS	M25×1.5	G3/4	8~14	25.5	15	57	50
MG25-E-16-SS	M25×1.5	G3/4	12~16	25.5	15	57	50
MG25-E-18-SS	M25×1.5	G3/4	13~18	25.5	15	57	50
MG32-E-25-SS	M32×1.5	G1	18~25	32.5	15	70	20
MG32-E-22-SS	M32×1.5	G1	17~22	32.5	15	70	20

# P 型-防折弯不锈钢电缆接头

P-type - Anti break Stainless steel cable gland

- 产品材料: 默认 304, 密封件为 EPDM
  - 防护等级: IP68
  - 工作温度:  $-40^{\circ} \sim 105^{\circ}$
  - 阻燃等级: UL94V-2
- ☆特别提示: 带\*为非标产品, 可能有一定的交期

- 
- Materials: SUS304+EPDM
  - Waterproof: IP68
  - Temperature:  $-40^{\circ} \sim 105^{\circ}$
  - fire prevention: UL94V-2
  - Ordering Information: Without nut
- ☆Special tips: With \* to be customized



蓝江产品型号	螺纹规格	电缆范围	建议开孔	螺纹长度	扳手尺寸	包装数量
Product model	Thread size	Cable range	Opening size	Thread length	Wrench Size	quantity
PN.	Metric	$\phi$ mm	AG mm	GL mm	nut/cap mm	Pcs/bag
MG12-P-06-SS	M12×1.5	3~6	12.5	7	14	50
MG16-P-08-SS	M16×1.5	4~8	16.5	7	18	50
MG18-P-10-SS	M18×1.5	6~10	18.5	8	20	50
MG20-P-14-SS	M20×1.5	8~14	20.5	8	22	50
MG20-P-12-SS	M20×1.5	8~12	20.5	8	24	50
MG22-P-14-SS	M22×1.5	8~14	22.5	8	24	50
MG25-P-18-SS	M25×1.5	13~18	25.5	9	27	50
MG27-P-18-SS	M27×1.5	13~18	27.5	9	30	50
MG30-P-18-SS	M30×1.5	13~18	30.5	10	32	50
MG32-P-25-SS	M32×1.5	18~25	32.5	10	34	20

# DEX2 型-单密封铠装防爆填料函

DEX2 series - Single seal armored explosion-proof gland

- 产品材料: 默认 304, 密封件为硅胶
  - 防护等级: IP66
  - 工作温度:  $-40^{\circ} \sim 105^{\circ}$
  - 阻燃等级: UL94V-2, 可定制 V0 级阻燃
  - 防爆标准: Exd IIC Gb/Exe IIC Gb/Ex td A20 IP66
  - 订购说明: 默认不附螺母
- ☆特别提示: 带\*为非防爆定制产品, 可能有一定的交期

- 
- Materials: SUS304+silica gel
  - Waterproof: IP66
  - Temperature:  $-40^{\circ} \sim 105^{\circ}$ , Short-term  $120^{\circ}$
  - fire prevention: UL94V-2, Customizable V0
  - performance: Exd IIC Gb/Exe IIC Gb/Ex td A20 IP66
  - Ordering Information: Without nut
- ☆Special tips: With \* to be customized



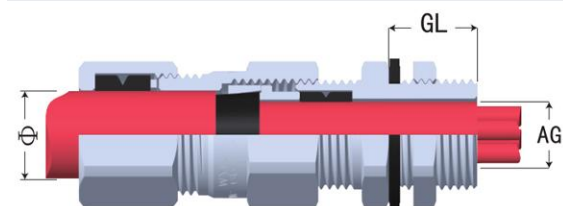
蓝江产品型号	螺纹规格/Thread size			电缆范围		螺纹长度	包装
				带铠	内部电缆		
Product model	公制牙 M	英制牙 G	美制牙 NPT	Armored	Internal	Thread length	quantity
PN.	Metric	G (PF)	NPT	$\phi$ mm	AG mm	GL mm	Pcs/bag
DEX2-M20-16-SS	M20×1.5	G1/2	NPT1/2	12~16	6~10	15	20
DEX2-M20-20-SS	M20×1.5	G1/2	NPT1/2	15~20	11~15	15	20
DEX2-M25-20-SS	M25×1.5	G3/4	NPT3/4	15~20	11~15	15	20
DEX2-M25-25-SS	M25×1.5	G3/4	NPT3/4	17~25	15~20	15	20
DEX2-M32-25-SS	M32×1.5	G1	NPT1	17~25	15~20	15	20
DEX2-M40-32-SS	M40×1.5	G1-1/4	NPT1-1/4	23~32	18~26	15	10
DEX2-M50-40-SS	M50×1.5	G1-1/2	NPT1-1/2	34~40	28~32	15	10
DEX2-M63-50-SS	M63×1.5	G2	NPT1-1/2	44~50	35~45	15	1
DEX2-M75-66-SS	M75×2.0	G2.5	NPT2.5	58~68	48~58	20	1
DEX2-M90-78-SS	M90×2.0	G3	NPT3	68~78	56~67	20	1

# SKZEX 型-双密封铠装防爆填料函

SKZEX series - Double seal armored explosion-proof gland

- 产品材料: 默认 304, 密封件为硅胶
  - 防护等级: IP66
  - 工作温度:  $-40^{\circ} \sim 105^{\circ}$
  - 阻燃等级: UL94V-2, 可定制 V0 级阻燃
  - 防爆标准: Exd IIC Gb/Exe IIC Gb/Ex td A20 IP66
  - 订购说明: 默认不附螺母
- ☆特别提示: 带\*为非防爆定制产品, 可能有一定的交期

- 
- Materials: SUS304+silica gel
  - Waterproof: IP66
  - Temperature:  $-40^{\circ} \sim 105^{\circ}$ , Short-term  $120^{\circ}$
  - fire prevention: UL94V-2, Customizable V0
  - performance: Exd IIC Gb/Exe IIC Gb/Ex td A20 IP66
  - Ordering Information: Without nut
- ☆Special tips: With \* to be customized



蓝江产品型号	螺纹规格/Thread size			电缆范围		螺纹长度	包装
				带铠	内部电缆		
Product model	公制牙 M	英制牙 G	美制牙 NPT	Armored	Internal	length	quantity
PN.	Metric	G (PF)	NPT	Φ mm	AG mm	GL mm	Pcs/bag
SKZEX-M20-16-SS	M20×1.5	G1/2	NPT1/2	12~16	6~10	15	20
SKZEX-M20-20-SS	M20×1.5	G1/2	NPT1/2	15~20	11~15	15	20
SKZEX-M25-20-SS	M25×1.5	G3/4	NPT3/4	15~20	11~15	15	20
SKZEX-M25-25-SS	M25×1.5	G3/4	NPT3/4	17~25	15~20	15	20
SKZEX-M32-25-SS	M32×1.5	G1	NPT1	17~25	15~20	15	20
SKZEX-M40-32-SS	M40×1.5	G1-1/4	NPT1-1/4	23~32	18~26	15	10
SKZEX-M50-40-SS	M50×1.5	G1-1/2	NPT1-1/2	34~40	28~32	15	10
SKZEX-M63-50-SS	M63×1.5	G2	NPT1-1/2	44~50	35~45	15	1
SKZEX-M75-66-SS	M75×2.0	G2.5	NPT2.5	58~68	48~58	20	1
SKZEX-M90-78-SS	M90×2.0	G3	NPT3	68~78	56~67	20	1

# LBEX 型-喇叭口铠装防爆填料函

LBEX series - Bellmouth armored explosion-proof gland

- 产品材料: 默认 304, 密封件为硅胶
  - 防护等级: IP66
  - 工作温度:  $-40^{\circ} \sim 105^{\circ}$
  - 阻燃等级: UL94V-2, 可定制 V0 级阻燃
  - 防爆标准: Exd IIC Gb/Exe IIC Gb/Ex td A20 IP66
  - 订购说明: 默认不附螺母
- ☆特别提示: 带\*为非防爆定制产品, 可能有一定的交期

- 
- Materials: SUS304+silica gel
  - Waterproof: IP66
  - Temperature:  $-40^{\circ} \sim 105^{\circ}$ , Short-term  $120^{\circ}$
  - fire prevention: UL94V-2, Customizable V0
  - performance: Exd IIC Gb/Exe IIC Gb/Ex td A20 IP66
  - Ordering Information: Without nut
- ☆Special tips: With \* to be customized



蓝江产品型号	螺纹规格/Thread size			电缆范围		螺纹长度	包装
				带铠	内部电缆		
Product model	公制牙 M	英制牙 G	美制牙 NPT	Armored	Internal	length	quantity
PN.	Metric	G(PF)	NPT	$\phi$ mm	AG mm	GL mm	Pcs/bag
LBEX-M20-16-SS	M20×1.5	G1/2	NPT1/2	12~16	6~10	15	20
LBEX-M20-20-SS	M20×1.5	G1/2	NPT1/2	15~20	11~15	15	20
LBEX-M25-20-SS	M25×1.5	G3/4	NPT3/4	15~20	11~15	15	20
LBEX-M25-25-SS	M25×1.5	G3/4	NPT3/4	17~25	15~20	15	20
LBEX-M32-25-SS	M32×1.5	G1	NPT1	17~25	15~20	15	20
LBEX-M40-32-SS	M40×1.5	G1-1/4	NPT1-1/4	23~32	18~26	15	10
LBEX-M50-40-SS	M50×1.5	G1-1/2	NPT1-1/2	34~40	28~32	15	10
LBEX-M63-50-SS	M63×1.5	G2	NPT1-1/2	44~50	35~45	15	1
LBEX-M75-66-SS	M75×2.0	G2.5	NPT2.5	58~68	48~58	20	1
LBEX-M90-78-SS	M90×2.0	G3	NPT3	68~78	56~67	20	1

# Exd1 型-隔爆不锈钢填料函

Type Exd1 - Flameproof stainless steel stuffing box

- 产品材料: 默认 304, 密封件为硅胶
- 防护等级: IP66
- 工作温度:  $-20^{\circ} \sim 200^{\circ}$
- 阻燃等级: UL94V-2, 可定制 V0 级阻燃
- 防爆标准: Exd IIC Gb/Exe IIC Gb/Ex td A20 IP66
- 订购说明: 默认不附螺母

- Materials: SUS304+silica gel
- Waterproof: IP66
- Temperature:  $-20^{\circ} \sim 200$
- fire prevention: UL94V-2, Customizable V0
- performance: Exd IIC Gb/Exe IIC Gb/Ex td A20 IP66
- Ordering Information: Without nut



蓝江产品型号	螺纹规格	电缆范围	建议开孔	螺纹长度	扳手尺寸	包装
Product model	Thread size	Cable range	Opening size	Thread length	Wrench Size	quantity
PN.	Metric	$\phi$ mm	AG mm	GL mm	cap mm	Pcs/bag
Exd1-M20-14-SS	M20×1.5	8~14	20.2	15	26	50
Exd1-M25-16-SS	M25×1.5	8~16	25.2	15	30	20
Exd1-M32-20-SS	M32×1.5	10~20	32.2	18	38	20
Exd1-M40-25-SS	M40×1.5	10~25	40.2	18	46	10
Exd1-M50-32-SS	M50×1.5	14~32	50.2	18	50	5
Exd1-M63-41-SS	M63×1.5	17~41	63.2	18	62	1
Exd1-G1/2-14-SS	G1/2	8~14	21	15	26	50
Exd1-G3/4-16-SS	G3/4	8~16	26.6	15	30	20
Exd1-G3/4-20-SS	G3/4	10~20	26.6	15	38	20
Exd1-G1-20-SS	G1	10~20	33.5	18	38	20
Exd1-G1-25-SS	G1	10~25	33.5	18	46	10
Exd1-G1-1/4-25-SS	G1-1/4	10~25	42	18	46	10
Exd1-G1-1/4-32-SS	G1-1/4	14~32	42	18	50	10
Exd1-G1-1/2-32-SS	G1-1/2	14~32	48	18	50	5
Exd1-G1-1/2-41-SS	G1-1/2	17~41	48	18	62	5
Exd1-G2-41-SS	G2	17~41	60	18	62	1
Exd1-NPT1/2-14-SS	NPT1/2	8~14	建议螺纹孔	15	26	50
Exd1-NPT3/4-16-SS	NPT3/4	8~16	建议螺纹孔	15	30	20
Exd1-NPT3/4-20-SS	NPT3/4	10~20	建议螺纹孔	15	38	20
Exd1-NPT1-20-SS	NPT1	10~20	建议螺纹孔	18	38	20
Exd1-NPT1-25-SS	NPT1	10~25	建议螺纹孔	18	46	10
Exd1-NPT1-1/4-25-SS	NPT1-1/4	10~25	建议螺纹孔	18	46	10
Exd1-NPT1-1/4-32-SS	NPT1-1/4	14~32	建议螺纹孔	18	50	10
Exd1-NPT1-1/2-32-SS	NPT1-1/2	14~32	建议螺纹孔	18	50	5
Exd1-NPT1-1/2-41-SS	NPT1-1/2	17~41	建议螺纹孔	18	62	5
Exd1-NPT2-41-SS	NPT2	17~41	建议螺纹孔	18	62	1

# Exd2 型-锥形密封防爆填料函

Exd2 type - conical seal explosion-proof stuffing box

- 产品材料：默认 304，密封件为硅胶
- 防护等级：IP68
- 工作温度：-20° ~200°
- 阻燃等级：UL94V-2，可定制 V0 级阻燃
- 防爆标准：Exd IIC Gb/Exe IIC Gb/Ex td A20 IP66
- 订购说明：默认不附螺母

- Materials: SUS304+silica gel
- Waterproof: IP68
- Temperature: -20° ~200
- fire prevention: UL94V-2, Customizable V0
- performance: Exd IIC Gb/Exe IIC Gb/Ex td A20 IP66
- Ordering Information: Without nut



蓝江产品型号	螺纹规格	电缆范围	建议开孔	螺纹长度	扳手尺寸	包装
Product model	Thread size	Cable range	Opening size	Thread length	Wrench Size	quantity
PN.	Metric	φ mm	AG mm	GL mm	cap mm	Pcs/bag
Exd2-M20-14-SS	M20×1.5	8~14	20.2	15	30	50
Exd2-M20-12-SS	M20×1.5	7~12	20.2	15	26	50
Exd2-M20-08-SS	M20×1.5	4~8	20.2	15	26	50
Exd2-M20-06-SS	M20×1.5	3~6	20.2	15	26	50
Exd2-G1/2-14-SS	G1/2	8~14	21	15	30	50
Exd2-G1/2-12-SS	G1/2	7~12	21	15	30	50
Exd2-G1/2-08-SS	G1/2	4~8	21	15	26	50
Exd2-G1/2-06-SS	G1/2	3~6	21	15	26	50
Exd2-NPT1/2-14-SS	NPT1/2	8~14	21	15	30	50
Exd2-NPT1/2-12-SS	NPT1/2	7~12	21	15	26	50
Exd2-NPT1/2-08-SS	NPT1/2	4~8	21	15	26	50
Exd2-NPT1/2-06-SS	NPT1/2	3~6	21	15	26	50

# TJ 系列-不锈钢填料函说明书

TJ series - instructions for stainless steel stuffing box

- 产品材料：默认 304，密封件为丁晴橡胶
- 防护等级：IP66
- 工作温度：-40° ~105°
- 阻燃等级：UL94V-2，可定制 V0 级阻燃
- 订购说明：默认不附螺母

- Materials: SUS304+NBR
- Waterproof: IP66
- Temperature: -40° ~105°
- fire prevention: UL94V-2, Customizable V0
- Ordering Information: Without nut



蓝江产品型号	螺纹规格	电缆范围	建议开孔	螺纹长度	扳手尺寸	包装
Product model	Thread size	Cable range	Opening size	Thread length	Wrench Size	quantity
PN.	Metric	φ mm	AG mm	GL mm	nut/cap mm	Pcs/bag
TJ08-M14-SS	M14×1.0	5~7	14.5	10	18/18	100
TJ13-M18-SS	M18×1.0	9~12	18.5	11	24/24	50
TJ16-M22-SS	M22×1.0	11~15	22.5	12	27/28	50
TJ19-M27-SS	M27×1.5	14~18	27.5	14	32/32	20
TJ24-M30-SS	M30×1.5	18~23	30.5	14	38/38	20
TJ28-M36-SS	M36×2.0	23~27	36.5	14	45/45	20
TJ34-M42-SS	M42×2.0	27~33	42.5	14	50/50	10
TJ42-M52-SS	M52×2.0	33~41	52.5	14	62/60	5
TJ50-M58-SS	M58×2.0	33~49	58.5	20	65/70	1
TJ58-M68-SS	M68×2.0	33~57	68.5	20	85/80	1



# HSM 系列-直通不锈钢接头-M

HSM series - straight through stainless steel gland-M

- 产品材料：默认 304，密封件为硅胶
- 防护等级：IP66
- 工作温度：-40° ~105°
- 阻燃等级：UL94V-2，可定制 V0 级阻燃
- 订购说明：默认不附螺母

- 
- Materials:SUS304+silica gel
  - Waterproof:IP68
  - Temperature: -40° ~105°
  - fire prevention: UL94V-2, Customizable V0
  - Ordering Information: Without nut



蓝江产品型号	螺纹规格	电缆范围	建议开孔	螺纹长度	扳手尺寸	包装
Product model	Thread size	Cable range	Opening size	Thread length	Wrench Size	quantity
PN.	Metric	φ mm	AG mm	GL mm	cap mm	Pcs/bag
HSM-M12-06-SS	M12×1.5	3~6.5	12.5	6	14	50
HSM-M16-08-SS	M16×1.5	4~8	16.5	7	18	50
HSM-M16D-10-SS	M16×1.5	6~10	16.5	7	20	50
HSM-M18-10-SS	M18×1.5	6~10	18.5	7	20	50
HSM-M20H-10-SS	M20×1.5	6~10	20.5	7	22	50
HSM-M20-12-SS	M20×1.5	7~12	20.5	7	22	50
HSM-M20D-14-SS	M20×1.5	8~14	20.5	7	24	50
HSM-M22-14-SS	M22×1.5	8~14	22.5	7	24	50
HSM-M24-14-SS	M24×1.5	8~14	24.5	7	27	50
HSM-M25H-14-SS	M25×1.5	8~14	25.5	7	28	50
HSM-M25-16-SS	M25×1.5	11~16	25.5	7	28	50
HSM-M25D-18-SS	M25×1.5	13~18	25.5	7	30	50
HSM-M27-18-SS	M27×2.0	13~18	27.5	8	30	50
HSM-M30-18-SS	M30×2.0	13~18	30.5	8	34	50
HSM-M32H-18-SS	M32×1.5	13~18	32.5	8	36	20
HSM-M32-22-SS	M32×1.5	17~22	32.5	8	36	20
HSM-M32D-25-SS	M32×1.5	18~25	32.5	8	38	20
HSM-M33-25-SS	M33×2.0	18~25	33.5	8	38	20
HSM-M36-25-SS	M36×2.0	18~25	36.5	8	40	10
HSM-M40H-25-SS	M40×1.5	18~25	40.5	9	45	10
HSM-M40-30-SS	M40×1.5	22~30	40.5	9	45	10
HSM-M40D-32-SS	M40×1.5	25~32	40.5	9	50	10
HSM-M42-32-SS	M42×2.0	25~32	42.5	9	50	10
HSM-M48-32-SS	M48×2.0	25~32	48.5	9	52	5
HSM-M50-38-SS	M50×1.5	30~38	50.5	9	55	5
HSM-M56-38-SS	M56×2.0	30~38	56.5	9	60	5
HSM-M60-44-SS	M60×2.0	38~44	60.5	10	65	5
HSM-M63-44-SS	M63×1.5	38~44	63.5	10	70	5

# HSM 系列-直通不锈钢接头-PG

HSM series - straight through stainless steel gland-PG

- 产品材料：默认 304，密封件为硅胶
- 防护等级：IP66
- 工作温度：-40° ~105°
- 订购说明：默认不附螺母

- Materials:SUS304+silica gel
- Waterproof:IP68
- Temperature: -40° ~105°
- Ordering Information: Without nut



蓝江产品型号	螺纹规格	电缆范围	建议开孔	螺纹长度	扳手尺寸	包装
Product model	Thread size	Cable range	Opening size	Thread length	Wrench Size	quantity
PN.	PG	mm	mm	mm	nut/cap mm	Pcs/bag
HSM-PG7-06-SS	PG7	3~6.5	13	6	14	50
HSM-PG9-08-SS	PG9	4~8	15.5	7	17	50
HSM-PG11-10-SS	PG11	6~10	19	7	20	50
HSM-PG13.5-12-SS	PG13.5	7~12	21	7	22	50
HSM-MPG16-14-SS	PG16	8~14	23	7	24	50
HSM-PG21-18-SS	PG21	13~18	28.5	8	30	50
HSM-PG29-25-SS	PG29	18~25	37.2	8	40	20
HSM-PG36-32-SS	PG36	25~32	47.5	9	50	10
HSM-PG42-38-SS	PG42	30~38	54.5	9	58	5
HSM-PG48-44-SS	PG48	38~44	60.5	10	65	5
HSM-G1/4-06-SS	G1/4	3~6.5	13.5	6	14	50
HSM-G3/8-08-SS	G3/8	4~8	16.6	7	20	50
HSM-G1/2-12-SS	G1/2	7~12	21	7	24	50
HSM-G1/2D-14-SS	G1/2	8~14	21	7	24	50
HSM-G3/4-18-SS	G3/4	13~18	21	8	30	50
HSM-G1-25-SS	G1	18~25	33.5	8	38	20
HSM-G1-1/4-32-SS	G1-1/4	25~32	42	9	50	10
HSM-G1-1/2-38-SS	G1-1/2	30~38	48	9	55	5
HSM-G2-44-SS	G2	38~44	60	10	65	5
HSM-NPT1/4-06-SS	NPT1/4	3~6.5	13.5	6	14	50
HSM-NPT3/8-08-SS	NPT3/8	4~8	16.6	7	20	50
HSM-NPT1/2-12-SS	NPT1/2	7~12	21	7	24	50
HSM-NPT1/2D-14-SS	NPT1/2	8~14	21	7	24	50
HSM-NPT3/4-18-SS	NPT3/4	13~18	21	8	30	50
HSM-NPT1-25-SS	NPT1	18~25	33.5	8	38	20
HSM-NPT1-1/4-32-SS	NPT1-1/4	25~32	42	9	50	10
HSM-NPT1-1/2-38-SS	NPT1-1/2	30~38	48	9	55	5
HSM-NPT2-44-SS	NPT2	38~44	60	10	65	5