

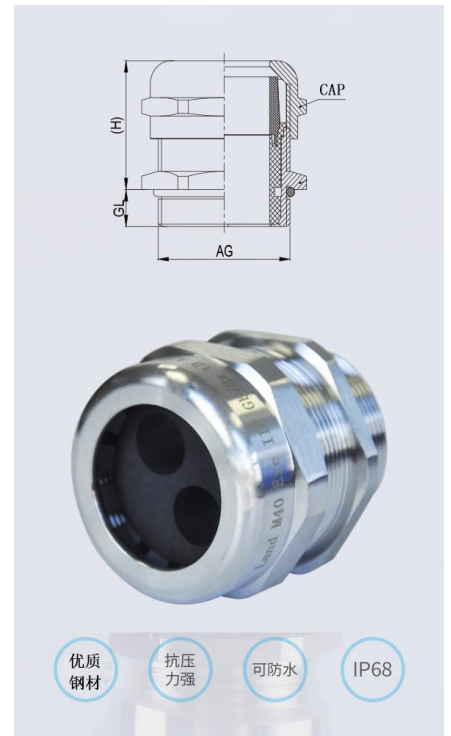
H 系列-二孔不锈钢防水接头-M

H series - Multi hole stainless steel cable gland M

- 产品材料: 默认 304, 密封件为 EPDM 橡胶
 - 防护等级: IP68
 - 工作温度: $-40^{\circ} \sim 105^{\circ}$
 - 阻燃等级: UL94V-2, 可定制 V0 级阻燃
 - 订购说明: 默认不附螺母
- ☆特别提示: 带*为非防爆定制产品, 可能有一定的交期

- Materials: SUS304+EPDM
- Waterproof: IP68
- Temperature: $-40^{\circ} \sim 105^{\circ}$, Short-term 120°
- fire prevention: UL94V-2, Customizable V0
- Ordering Information: Without nut

☆Special tips: With * to be customized



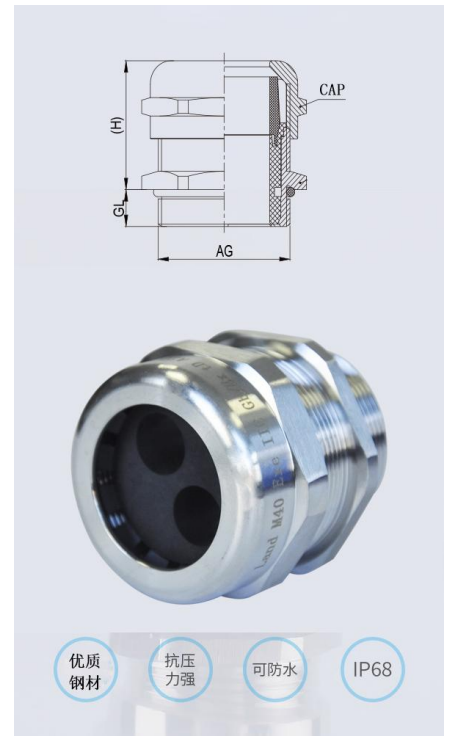
蓝江产品型号	螺纹规格	电缆范围	建议开孔	螺纹长度	扳手尺寸	包装
Product model	Thread size	Cable range	Opening size	Thread length	Wrench Size	quantity
PN.	Metric	mm	mm	mm	nut/cap mm	Pcs/bag
MG12-H2-03-SS	M12×1.5	1.5~3	12.5	9	15/17	50
MG16-H2-04-SS	M16×1.5	2~4	16.5	9.5	20/21	50
MG18-H2-04-SS	M18×1.5	2~4	18.5	9.5	21/21	50
MG20-H2-06-SS	M20×1.5	3~6	20.5	12	24/26	50
MG20-H2-05-SS	M20×1.5	2~5	20.5	12	24/26	50
MG20-H2-04-SS	M20×1.5	2~4	20.5	12	24/26	50
MG20-H2-03-SS	M20×1.5	1.5~3	20.5	12	24/26	50
MG20S-H2-05-SS	M20×1.5	2~5	20.5	12	24/24	50
MG22-H2-06-SS	M22×1.5	3~6	22.5	12	26/26	50
MG24-H2-06-SS	M24×1.5	3~6	24.5	10.5	28/26	50
MG25-H2-08-SS	M25×1.5	5~8	25.5	12	30/31	50
MG25-H2-06-SS	M25×1.5	3~6	25.5	12	30/31	50
MG27-H2-08-SS	M27×1.5/2.0	5~8	27.5	12	30/31	50
MG30-H2-08-SS	M30×1.5/2.0	5~8	30.5	12.5	34/40	50
MG32-H2-10-SS	M32×1.5	6~10	32.5	12.5	38/40	20
MG36-H2-10-SS	M36×1.5/2.0	6~10	36.5	13	42/40	20
MG40-H2-13-SS	M40×1.5/2.0	9~13	40.5	14	48/50	10
MG42-H2-13-SS	M42×2.0	9~13	42.5	15	48/50	10
MG48-H2-13-SS	M48×2.0	9~13	48.5	15	58/50	10
MG50-H2-15-SS	M50×1.5	11~15	50.5	15	58/60	10
MG63-H2-17-SS	M63×1.5	14~17	63.5	15	71/76	1

H 系列-二孔不锈钢防水接头-PG

H series - Multi hole stainless steel cable gland PG

- 产品材料: 默认 304, 密封件为 EPDM 橡胶
 - 防护等级: IP68
 - 工作温度: $-40^{\circ} \sim 105^{\circ}$
 - 阻燃等级: UL94V-2, 可定制 V0 级阻燃
 - 订购说明: 默认不附螺母
- ☆特别提示: 带*为非防爆定制产品, 可能有一定的交期

-
- Materials: SUS304+EPDM
 - Waterproof: IP68
 - Temperature: $-40^{\circ} \sim 105^{\circ}$, Short-term 120°
 - fire prevention: UL94V-2, Customizable V0
 - Ordering Information: Without nut
- ☆Special tips: With * to be customized



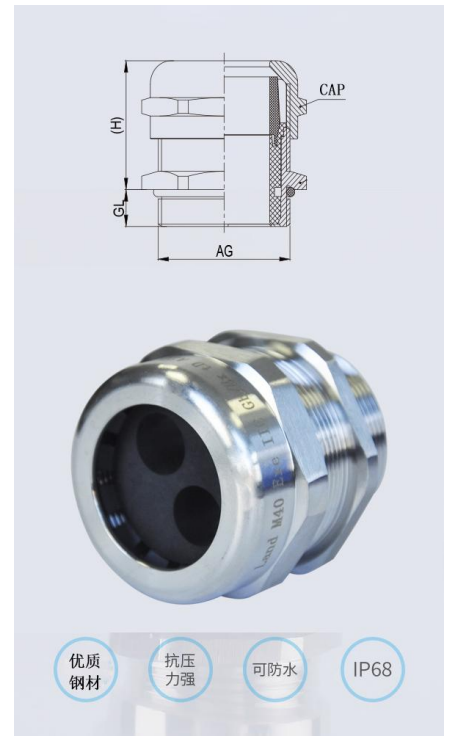
蓝江产品型号	螺纹规格	电缆范围	建议开孔	螺纹长度	扳手尺寸	包装
Product model	Thread size	Cable range	Opening size	Thread length	Wrench Size	quantity
PN.	PG	mm	mm	mm	nut/cap mm	Pcs/bag
PG7-H2-03-SS	PG7	1.5~3	13	9	15/17	50
PG9-H2-03-SS	PG9	1.5~3	15.5	9	17/17	50
PG11-H2-04-SS	PG11	2~4	19	9.5	21/21	50
PG13.5-H2-06-SS	PG13.5	3~6	21	10.5	24/26	50
PG13.5-H2-05-SS	PG13.5	2~5	21	10.5	24/24	50
PG16-H2-06-SS	PG16	3~6	23	12	26/26	50
PG16-H2-05-SS	PG16	2~5	23	12	26/26	50
PG16-H2-04-SS	PG16	2~4	23	12	26/26	50
PG16-H2-03-SS	PG16	1.5~3	23	12	26/26	50
PG19-H2-06-SS	PG19	3~6	24.5	10.5	28/26	50
PG21-H2-08-SS	PG21	5~8	28.5	12	32/31	50
PG21-H2-06-SS	PG21	3~6	28.5	12	32/31	50
PG21-H2-05-SS	PG21	2~5	28.5	12	32/31	50
PG25-H2-08-SS	PG25	5~8	30.2	12.5	34/31	50
PG29-H2-10-SS	PG29	6~10	37.2	12.5	40/40	20
PG36-H2-13-SS	PG36	9~13	47.5	15	58/50	10
PG42-H2-15-SS	PG42	11~15	54.5	15	60/60	10
PG48-H2-17-SS	PG48	14~17	60	15	71/76	1

H 系列-二孔不锈钢防水接头-G 和 NPT

H series - Multi hole stainless steel cable gland G and NPT

- 产品材料: 默认 304, 密封件为 EPDM 橡胶
 - 防护等级: IP68
 - 工作温度: $-40^{\circ} \sim 105^{\circ}$
 - 阻燃等级: UL94V-2, 可定制 V0 级阻燃
 - 订购说明: 默认不附螺母
- ☆特别提示: 带*为非防爆定制产品, 可能有一定的交期

-
- Materials: SUS304+EPDM
 - Waterproof: IP68
 - Temperature: $-40^{\circ} \sim 105^{\circ}$, Short-term 120°
 - fire prevention: UL94V-2, Customizable V0
 - Ordering Information: Without nut
- ☆Special tips: With * to be customized



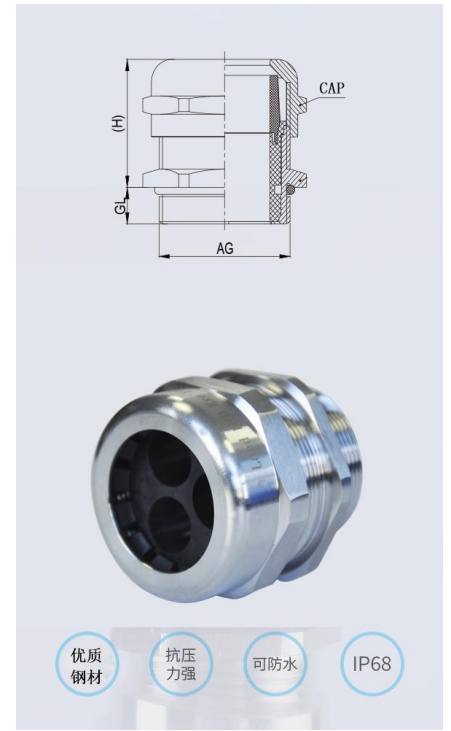
蓝江产品型号	螺纹规格	电缆范围	建议开孔	螺纹长度	扳手尺寸	包装
Product model	Thread size	Cable range	Opening size	Thread length	Wrench Size	quantity
PN.	G (PF)	mm	mm	mm	nut/cap mm	Pcs/bag
G1/4-H2-03-SS	G1/4	1.5~3	13.5	9	17/17	50
G3/8-H2-04-SS	G3/8	2~4	16.6	9.5	21/21	50
G1/2-H2-06-SS	G1/2	3~6	21	12	24/26	50
G1/2-H2-05-SS	G1/2	2~5	21	12	24/24	50
G3/4-H2-08-SS	G3/4	5~8	26.6	12	30/31	50
G3/4-H2-06-SS	G3/4	3~6	26.6	12	30/31	50
G1-H2-10-SS	G1	6~10	33.5	15	38/40	20
G1-1/4-H2-13-SS	G1-1/4	9~13	42	15	48/50	10
G1-1/2-H2-13-SS	G1-1/2	9~13	48	15	55/50	10
G2-H2-17-SS	G2	14~17	60	15	71/76	1
NPT1/4-H2-03-SS	NPT1/4	1.5~3	13.5	9	17/17	50
NPT3/8-H2-04-SS	NPT3/8	2~4	16.6	10	21/21	50
NPT1/2-H2-06-SS	NPT1/2	3~6	21	13	24/26	50
NPT1/2-H2-05-SS	NPT1/2	2~5	21	11	24/24	50
NPT3/4-H2-08-SS	NPT3/4	5~8	26.6	13	30/31	50
NPT3/4-H2-06-SS	NPT3/4	3~6	26.6	13	30/31	50
NPT1-H2-10-SS	NPT1	6~10	33.5	15	38/40	20
NPT1-1/4-H2-13-SS	NPT1-1/4	9~13	42	15	48/50	10
NPT1-1/2-H2-13-SS	NPT1-1/2	9~13	48	15	55/50	10
NPT2-H2-17-SS	NPT2	14~17	60	15	71/65	1

H 系列-三孔不锈钢防水接头-M

H series - Multi hole stainless steel cable gland M

- 产品材料: 默认 304, 密封件为 EPDM 橡胶
 - 防护等级: IP68
 - 工作温度: $-40^{\circ} \sim 105^{\circ}$
 - 阻燃等级: UL94V-2, 可定制 V0 级阻燃
 - 订购说明: 默认不附螺母
- ☆特别提示: 带*为非防爆定制产品, 可能有一定的交期

-
- Materials: SUS304+EPDM
 - Waterproof: IP68
 - Temperature: $-40^{\circ} \sim 105^{\circ}$, Short-term 120°
 - fire prevention: UL94V-2, Customizable V0
 - Ordering Information: Without nut
- ☆Special tips: With * to be customized



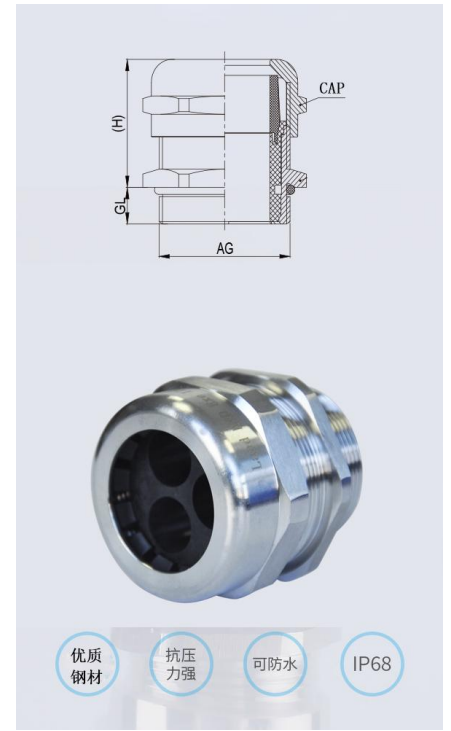
蓝江产品型号	螺纹规格	电缆范围	建议开孔	螺纹长度	扳手尺寸	包装
Product model	Thread size	Cable range	Opening size	Thread length	Wrench Size	quantity
PN.	Metric	mm	mm	mm	nut/cap mm	Pcs/bag
MG12-H3-02-SS	M12×1.5	1.5~2.6	12.5	9	15/17	50
MG16-H3-04-SS	M16×1.5	2~4	16.5	9.5	20/21	50
MG18-H3-04-SS	M18×1.5	2~4	18.5	9.5	21/21	50
MG20-H3-06-SS	M20×1.5	4~6	20.5	12	24/26	50
MG20-H3-05-SS	M20×1.5	3~5	20.5	12	24/26	50
MG20-H3-03-SS	M20×1.5	1.5~3	20.5	12	24/26	50
MG22-H3-06-SS	M22×1.5	4~6	22.5	12	26/26	50
MG24-H3-06-SS	M24×1.5	4~6	24.5	10.5	28/26	50
MG25-H3-08-SS	M25×1.5	5~8	25.5	12	30/31	50
MG25-H3-07-SS	M25×1.5	5~7	25.5	12	30/31	50
MG25-H3-06-SS	M25×1.5	4~6	25.5	12	30/31	50
MG25-H3-05-SS	M25×1.5	3~5	25.5	12	30/31	50
MG27-H3-08-SS	M27×1.5/2.0	5~8	27.5	12	30/31	50
MG30-H3-08-SS	M30×1.5/2.0	5~8	30.5	12.5	34/40	50
MG32-H3-10-SS	M32×1.5	6~10	32.5	12.5	38/40	20
MG36-H3-10-SS	M36×1.5/2.0	6~10	36.5	13	42/40	20
MG40-H3-12-SS	M40×1.5/2.0	9~12	40.5	14	48/50	10
MG42-H3-12-SS	M42×2.0	9~12	42.5	15	48/50	10
MG48-H3-12-SS	M48×2.0	9~12	48.5	15	58/50	10
MG50-H3-12-SS	M50×1.5	8~12	50.5	15	58/60	10
MG63-H3-13-SS	M63×1.5	9~13	63.5	15	71/76	1

H 系列-三孔不锈钢防水接头-PG

H series - Multi hole stainless steel cable gland PG

- 产品材料: 默认 304, 密封件为 EPDM 橡胶
 - 防护等级: IP68
 - 工作温度: $-40^{\circ} \sim 105^{\circ}$
 - 阻燃等级: UL94V-2, 可定制 V0 级阻燃
 - 订购说明: 默认不附螺母
- ☆特别提示: 带*为非防爆定制产品, 可能有一定的交期

-
- Materials: SUS304+EPDM
 - Waterproof: IP68
 - Temperature: $-40^{\circ} \sim 105^{\circ}$, Short-term 120°
 - fire prevention: UL94V-2, Customizable V0
 - Ordering Information: Without nut
- ☆Special tips: With * to be customized



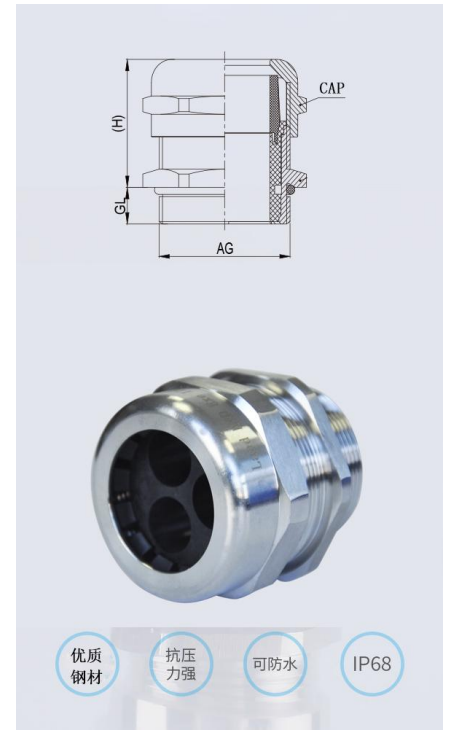
蓝江产品型号	螺纹规格	电缆范围	建议开孔	螺纹长度	扳手尺寸	包装
Product model	Thread size	Cable range	Opening size	Thread length	Wrench Size	quantity
PN.	PG	mm	mm	mm	nut/cap mm	Pcs/bag
PG7-H3-02-SS	PG7	1.5~2.6	13	9	15/17	50
PG9-H3-02-SS	PG9	1.5~2.6	15.5	9	17/17	50
PG11-H3-04-SS	PG11	2~4	19	9.5	21/21	50
PG13.5-H3-05-SS	PG13.5	2~5	21	10.5	24/24	50
PG16-H3-06-SS	PG16	3~6	23	12	26/26	50
PG16-H3-05-SS	PG16	2~5	23	12	26/26	50
PG16-H3-03-SS	PG16	1.5~3	23	12	26/26	50
PG19-H3-06-SS	PG19	3~6	24.5	10.5	28/26	50
PG21-H3-08-SS	PG21	5~8	28.5	12	32/31	50
PG21-H3-06-SS	PG21	3~6	28.5	12	32/31	50
PG21-H3-05-SS	PG21	2~5	28.5	12	32/31	50
PG25-H3-08-SS	PG25	5~8	30.2	12.5	34/31	50
PG29-H3-10-SS	PG29	6~10	37.2	12.5	40/40	20
PG36-H3-12-SS	PG36	9~12	47.5	15	58/50	10
PG36-H3-11-SS	PG36	7~11	47.5	15	58/50	10
PG42-H3-13-SS	PG42	9~13	54.5	15	60/60	10
PG48-H3-13-SS	PG48	9~13	60	15	71/76	1

H 系列-三孔不锈钢防水接头-G 和 NPT

H series - Multi hole stainless steel cable gland G and NPT

- 产品材料: 默认 304, 密封件为 EPDM 橡胶
 - 防护等级: IP68
 - 工作温度: $-40^{\circ} \sim 105^{\circ}$
 - 阻燃等级: UL94V-2, 可定制 V0 级阻燃
 - 订购说明: 默认不附螺母
- ☆特别提示: 带*为非防爆定制产品, 可能有一定的交期

-
- Materials: SUS304+EPDM
 - Waterproof: IP68
 - Temperature: $-40^{\circ} \sim 105^{\circ}$, Short-term 120°
 - fire prevention: UL94V-2, Customizable V0
 - Ordering Information: Without nut
- ☆Special tips: With * to be customized



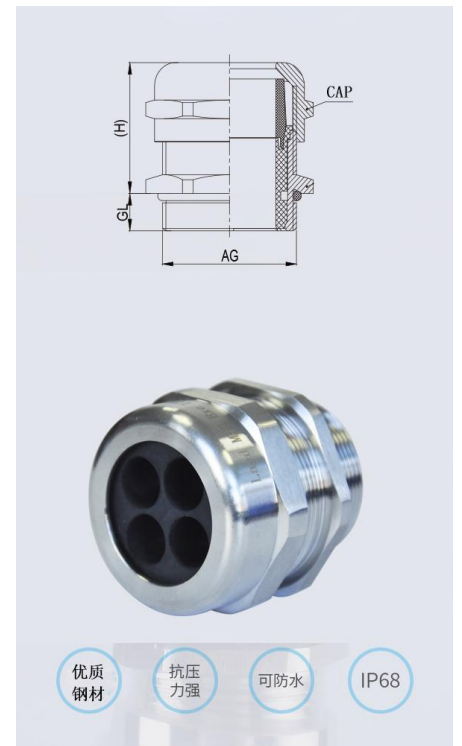
蓝江产品型号	螺纹规格	电缆范围	建议开孔	螺纹长度	扳手尺寸	包装
Product model	Thread size	Cable range	Opening size	Thread length	Wrench Size	quantity
PN.	G (PF)	mm	mm	mm	nut/cap mm	Pcs/bag
G1/4-H3-02-SS	G1/4	1.5~2.6	13.5	9	17/17	50
G3/8-H3-04-SS	G3/8	2~4	16.6	9.5	21/21	50
G1/2-H3-06-SS	G1/2	3~6	21	12	24/26	50
G1/2-H3-05-SS	G1/2	2~5	21	12	24/24	50
G3/4-H3-08-SS	G3/4	5~8	26.6	12	30/31	50
G3/4-H3-06-SS	G3/4	3~6	26.6	12	30/31	50
G1-H3-10-SS	G1	6~10	33.5	15	38/40	20
G1-1/4-H3-12-SS	G1-1/4	9~12	42	15	48/50	10
G1-1/2-H3-12-SS	G1-1/2	9~12	48	15	55/60	10
G2-H3-13-SS	G2	9~13	60	15	71/76	1
NPT1/4-H3-02-SS	NPT1/4	1.5~2.6	13.5	9	17/17	50
NPT3/8-H3-04-SS	NPT3/8	2~4	16.6	10	21/21	50
NPT1/2-H3-06-SS	NPT1/2	3~6	21	13	24/26	50
NPT1/2-H3-05-SS	NPT1/2	2~5	21	11	24/24	50
NPT3/4-H3-08-SS	NPT3/4	5~8	26.6	13	30/31	50
NPT3/4-H3-06-SS	NPT3/4	3~6	26.6	13	30/31	50
NPT1-H3-10-SS	NPT1	6~10	33.5	15	38/40	20
NPT1-1/4-H3-12-SS	NPT1-1/4	9~12	42	15	48/50	10
NPT1-1/2-H3-12-SS	NPT1-1/2	9~12	48	15	55/60	10
NPT2-H3-13-SS	NPT2	9~13	60	15	71/65	1

H 系列-四孔不锈钢防水接头-M

H series - Multi hole stainless steel cable gland M

- 产品材料: 默认 304, 密封件为 EPDM 橡胶
 - 防护等级: IP68
 - 工作温度: $-40^{\circ} \sim 105^{\circ}$
 - 阻燃等级: UL94V-2, 可定制 V0 级阻燃
 - 订购说明: 默认不附螺母
- ☆特别提示: 带*为非防爆定制产品, 可能有一定的交期

-
- Materials: SUS304+EPDM
 - Waterproof: IP68
 - Temperature: $-40^{\circ} \sim 105^{\circ}$, Short-term 120°
 - fire prevention: UL94V-2, Customizable V0
 - Ordering Information: Without nut
- ☆Special tips: With * to be customized



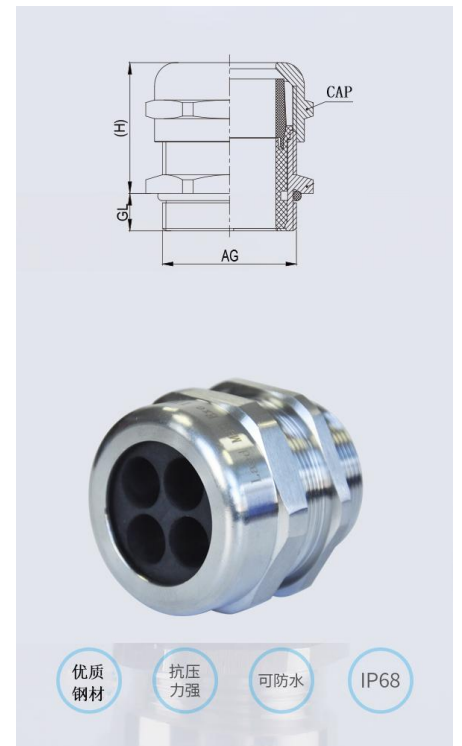
蓝江产品型号	螺纹规格	电缆范围	建议开孔	螺纹长度	扳手尺寸	包装
Product model	Thread size	Cable range	Opening size	Thread length	Wrench Size	quantity
PN.	Metric	mm	mm	mm	nut/cap mm	Pcs/bag
MG12-H4-02-SS	M12×1.5	1.5~2.3	12.5	9	15/17	50
MG16-H4-03-SS	M16×1.5	1.6~3.2	16.5	9.5	20/21	50
MG18-H4-03-SS	M18×1.5	1.6~3.2	18.5	9.5	21/21	50
MG20-H4-05-SS	M20×1.5	3~4.5	20.5	12	24/26	50
MG20-H4-04-SS	M20×1.5	2~3.5	20.5	12	24/26	50
MG20-H4-03-SS	M20×1.5	1.5~2.5	20.5	12	24/26	50
MG22-H4-05-SS	M22×1.5	3~4.5	22.5	12	26/26	50
MG24-H4-05-SS	M24×1.5	3~4.5	24.5	10.5	28/26	50
MG25-H4-09-SS	M25×1.5	7~9	25.5	12	30/31	50
MG25-H4-08-SS	M25×1.5	6~8	25.5	12	30/31	50
MG25-H4-07-SS	M25×1.5	5~7	25.5	12	30/31	50
MG25-H4-06-SS	M25×1.5	4~6	25.5	12	30/31	50
MG25-H4-05-SS	M25×1.5	3~5	25.5	12	30/31	50
MG27-H4-07-SS	M27×1.5/2.0	5~7	27.5	12	30/31	50
MG30-H4-07-SS	M30×1.5/2.0	5~7	30.5	12.5	34/40	50
MG32-H4-09-SS	M32×1.5	7~9	32.5	12.5	38/40	20
MG32-H4-07-SS	M32×1.5	5~7	32.5	12.5	38/40	20
MG36-H4-09-SS	M36×1.5/2.0	7~9	36.5	13	42/40	20
MG40-H4-12-SS	M40×1.5/2.0	9~12	40.5	14	48/50	10
MG42-H4-12-SS	M42×2.0	9~12	42.5	15	48/50	10
MG48-H4-12-SS	M48×2.0	9~12	48.5	15	58/50	10

H 系列-四孔不锈钢防水接头-PG

H series - Multi hole stainless steel cable gland PG

- 产品材料: 默认 304, 密封件为 EPDM 橡胶
 - 防护等级: IP68
 - 工作温度: $-40^{\circ} \sim 105^{\circ}$
 - 阻燃等级: UL94V-2, 可定制 V0 级阻燃
 - 订购说明: 默认不附螺母
- ☆特别提示: 带*为非防爆定制产品, 可能有一定的交期

-
- Materials: SUS304+EPDM
 - Waterproof: IP68
 - Temperature: $-40^{\circ} \sim 105^{\circ}$, Short-term 120°
 - fire prevention: UL94V-2, Customizable V0
 - Ordering Information: Without nut
- ☆Special tips: With * to be customized



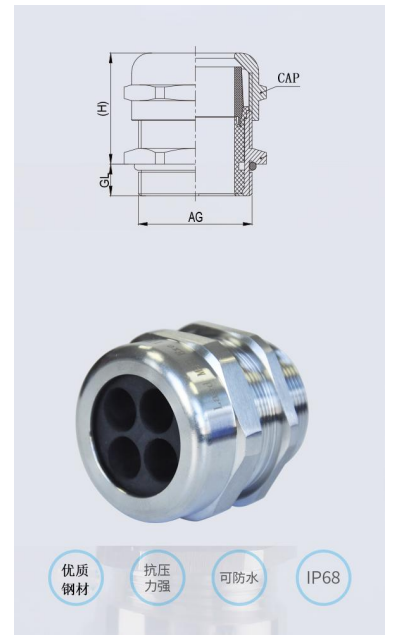
蓝江产品型号	螺纹规格	电缆范围	建议开孔	螺纹长度	扳手尺寸	包装
Product model	Thread size	Cable range	Opening size	Thread length	Wrench Size	quantity
PN.	PG	mm	mm	mm	nut/cap mm	Pcs/bag
PG7-H4-02-SS	PG7	1.5~2.3	13	9	15/17	50
PG9-H4-02-SS	PG9	1.5~2.3	15.5	9	17/17	50
PG11-H4-03-SS	PG11	1.6~3.2	19	9.5	21/21	50
PG13.5-H4-04-SS	PG13.5	2~4	21	10.5	24/24	50
PG16-H4-05-SS	PG16	3~4.5	23	12	26/26	50
PG16-H4-04-SS	PG16	2~3.5	23	12	26/26	50
PG16-H4-03-SS	PG16	1.5~2.5	23	12	26/26	50
PG19-H4-05-SS	PG19	3~4.5	24.5	10.5	28/26	50
PG19-H4-04-SS	PG19	2~3.5	24.5	10.5	28/26	50
PG19-H4-03-SS	PG19	1.5~2.5	24.5	10.5	28/26	50
PG21-H4-09-SS	PG21	7~9	28.5	12	32/31	50
PG21-H4-08-SS	PG21	6~8	28.5	12	32/31	50
PG21-H4-07-SS	PG21	5~7	28.5	12	32/31	50
PG21-H4-06-SS	PG21	4~6	28.5	12	32/31	50
PG21-H4-05-SS	PG21	3~5	28.5	12	32/31	50
PG25-H4-08-SS	PG25	6~8	30.2	12.5	34/31	50
PG29-H4-09-SS	PG29	7~9	37.2	12.5	40/40	20
PG29-H4-07-SS	PG29	5~7	37.2	12.5	40/40	20
PG36-H4-13-SS	PG36	10~13	47.5	15	58/50	10
PG36-H4-11-SS	PG36	8~11	47.5	15	58/50	10

H 系列-四孔不锈钢防水接头-G 和 NPT

H series - Multi hole stainless steel cable gland G and NPT

- 产品材料: 默认 304, 密封件为 EPDM 橡胶
- 防护等级: IP68
- 工作温度: $-40^{\circ} \sim 105^{\circ}$
- 阻燃等级: UL94V-2, 可定制 V0 级阻燃
- 订购说明: 默认不附螺母

-
- Materials: SUS304+EPDM
 - Waterproof: IP68
 - Temperature: $-40^{\circ} \sim 105^{\circ}$, Short-term 120°
 - fire prevention: UL94V-2, Customizable V0
 - Ordering Information: Without nut



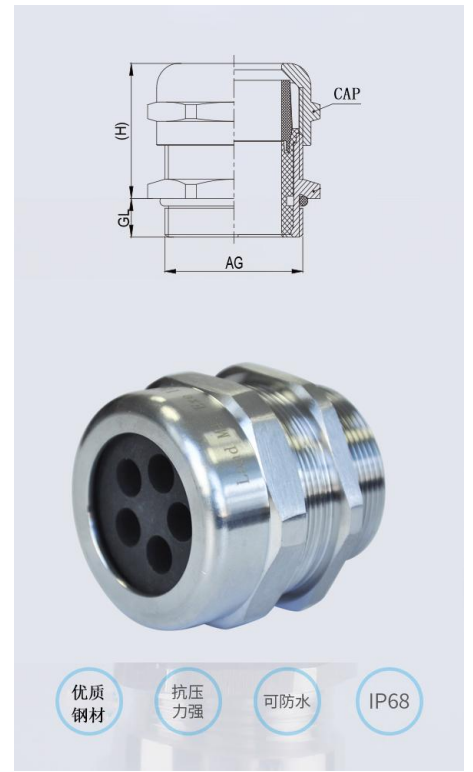
蓝江产品型号	螺纹规格	电缆范围	建议开孔	螺纹长度	扳手尺寸	包装
Product model	Thread size	Cable range	Opening size	Thread length	Wrench Size	quantity
PN.	G (PF)	mm	mm	mm	nut/cap mm	Pcs/bag
G1/4-H4-02-SS	G1/4	1.5~2.3	13.5	9	17/17	50
G3/8-H4-03-SS	G3/8	1.6~3.2	16.6	9.5	21/21	50
G1/2-H4-05-SS	G1/2	3~4.5	21	12	24/26	50
G1/2-H4-04-SS	G1/2	2~4	21	12	24/24	50
G3/4-H4-08-SS	G3/4	6~8	26.6	12	30/31	50
G3/4-H4-07-SS	G3/4	5~7	26.6	12	30/31	50
G3/4-H4-06-SS	G3/4	4~6	26.6	12	30/31	50
G3/4-H4-05-SS	G3/4	3~5	26.6	12	30/31	50
G1-H4-09-SS	G1	7~9	33.5	15	38/40	20
G1-H4-07-SS	G1	5~7	33.5	15	38/40	20
G1-1/4-H4-12-SS	G1-1/4	9~12	42	15	48/50	10
G1-1/2-H4-12-SS	G1-1/2	9~12	48	15	55/60	10
NPT1/4-H4-02-SS	NPT1/4	1.5~2.3	13.5	9	17/17	50
NPT3/8-H4-03-SS	NPT3/8	1.6~3.2	16.6	10	21/21	50
NPT1/2-H4-05-SS	NPT1/2	3~4.5	21	13	24/26	50
NPT1/2-H4-04-SS	NPT1/2	2~4	21	11	24/24	50
NPT3/4-H4-08-SS	NPT3/4	6~8	26.6	13	30/31	50
NPT3/4-H4-07-SS	NPT3/4	5~7	26.6	13	30/31	50
NPT3/4-H4-06-SS	NPT3/4	4~6	26.6	13	30/31	50
NPT3/4-H4-05-SS	NPT3/4	3~5	26.6	13	30/31	50
NPT1-H4-09-SS	NPT1	7~9	33.5	15	38/40	20
NPT1-H4-07-SS	NPT1	5~7	33.5	15	38/40	20
NPT1-1/4-H4-12-SS	NPT1-1/4	9~12	42	15	48/50	10
NPT1-1/2-H4-12-SS	NPT1-1/2	9~12	48	15	55/60	10

H 系列-五孔不锈钢防水接头-M

H series - Multi hole stainless steel cable gland M

- 产品材料: 默认 304, 密封件为 EPDM 橡胶
 - 防护等级: IP68
 - 工作温度: $-40^{\circ} \sim 105^{\circ}$
 - 阻燃等级: UL94V-2, 可定制 V0 级阻燃
 - 订购说明: 默认不附螺母
- ☆特别提示: 带*为非防爆定制产品, 可能有一定的交期

-
- Materials: SUS304+EPDM
 - Waterproof: IP68
 - Temperature: $-40^{\circ} \sim 105^{\circ}$, Short-term 120°
 - fire prevention: UL94V-2, Customizable V0
 - Ordering Information: Without nut
- ☆Special tips: With * to be customized



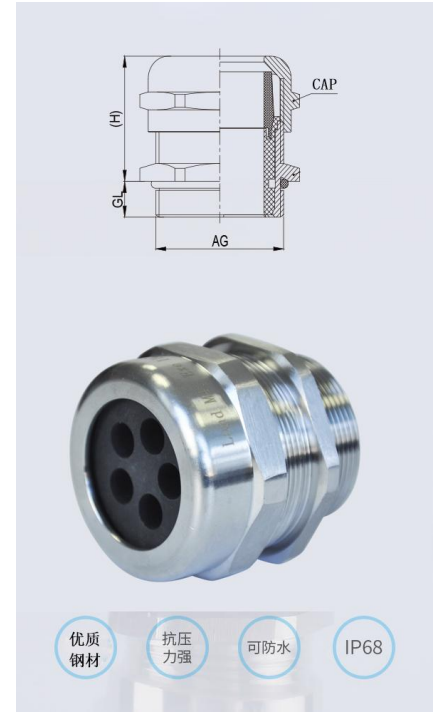
蓝江产品型号	螺纹规格	电缆范围	建议开孔	螺纹长度	扳手尺寸	包装
Product model	Thread size	Cable range	Opening size	Thread length	Wrench Size	quantity
PN.	Metric	mm	mm	mm	nut/cap mm	Pcs/bag
*MG16-H5-02-SS	M16×1.5	1.5~2	16.5	9.5	20/21	50
*MG18-H5-02-SS	M18×1.5	1.5~2	18.5	9.5	21/21	50
MG20-H5-04-SS	M20×1.5	2.5~4	20.5	12	24/26	50
MG20-H5-03-SS	M20×1.5	2~3	20.5	12	24/26	50
MG22-H5-04-SS	M22×1.5	2.5~4	22.5	12	26/26	50
MG22-H5-03-SS	M22×1.5	2~3	22.5	12	26/26	50
MG24-H5-04-SS	M24×1.5	2.5~4	24.5	10.5	28/26	50
MG24-H5-03-SS	M24×1.5	2~3	24.5	10.5	28/26	50
MG25-H5-06-SS	M25×1.5	4~6	25.5	12	30/31	50
MG27-H5-06-SS	M27×1.5/2.0	4~6	27.5	12	30/31	50
MG30-H5-06-SS	M30×1.5/2.0	4~6	30.5	12.5	34/40	50
MG32-H5-08-SS	M32×1.5	6~8	32.5	12.5	38/40	20
MG32S-H5-06-SS	M32×1.5	4~6	32.5	12	38/31	20
MG33-H5-08-SS	M33×2.0	6~8	33.5	14.5	38/40	20
MG36-H5-08-SS	M36×1.5/2.0	6~8	36.5	13	42/40	20
MG40-H5-08-SS	M40×1.5/2.0	6~8	40.5	14	48/50	10
MG42-H5-08-SS	M42×2.0	6~8	42.5	15	48/50	10
MG48-H5-08-SS	M48×2.0	6~8	48.5	15	58/50	10
*MG50-H5-10-SS	M50×1.5	8~10	50.5	15	58/60	10
MG50S-H5-08-SS	M50×1.5	6~8	50.5	15	54/50	10

H 系列-五孔不锈钢防水接头-PG/G/NPT

H series - Multi hole stainless steel cable gland PG/G/NPT

- 产品材料: 默认 304, 密封件为 EPDM 橡胶
 - 防护等级: IP68
 - 工作温度: $-40^{\circ} \sim 105^{\circ}$
 - 阻燃等级: UL94V-2, 可定制 V0 级阻燃
 - 订购说明: 默认不附螺母
- ☆特别提示: 带*为非防爆定制产品, 可能有一定的交期

-
- Materials: SUS304+EPDM
 - Waterproof: IP68
 - Temperature: $-40^{\circ} \sim 105^{\circ}$, Short-term 120°
 - fire prevention: UL94V-2, Customizable V0
 - Ordering Information: Without nut
- ☆Special tips: With * to be customized



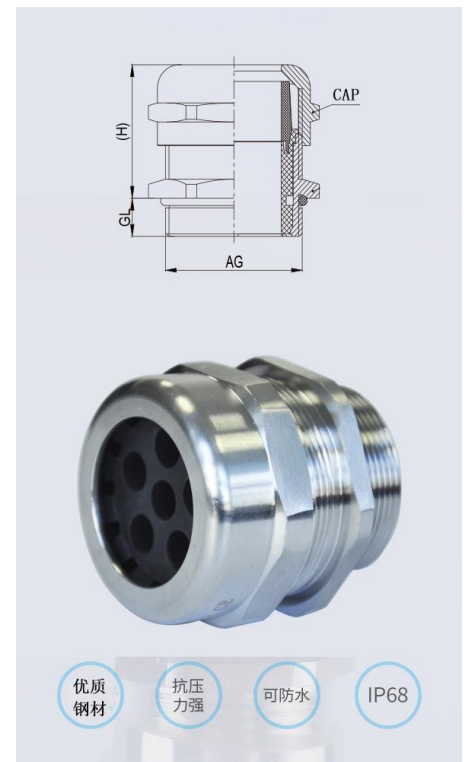
蓝江产品型号	螺纹规格	电缆范围	建议开孔	螺纹长度	扳手尺寸	包装
Product model	Thread size	Cable range	Opening size	Thread length	Wrench Size	quantity
PN.	PG	mm	mm	mm	nut/cap mm	Pcs/bag
PG16-H5-04-SS	PG16	2.5~4	23	12	26/26	50
PG16-H5-03-SS	PG16	2~3	23	12	26/26	50
PG19-H5-04-SS	PG19	2.5~4	24.5	10.5	28/26	50
PG19-H5-03-SS	PG19	2~3	24.5	10.5	28/26	50
PG21-H5-06-SS	PG21	4~6	28.5	12	32/31	50
PG25-H5-06-SS	PG25	4~6	30.2	12.5	34/31	50
PG29-H5-08-SS	PG29	6~8	37.2	12.5	40/40	20
PG36-H5-08-SS	PG36	6~8	47.5	15	58/50	10
G1/2-H5-04-SS	G1/2	2.5~4	21	12	24/26	50
G1/2-H5-03-SS	G1/2	2~3	21	12	24/26	50
G3/4-H5-06-SS	G3/4	4~6	26.6	12	30/31	50
G1-H5-08-SS	G1	7~9	33.5	15	38/40	20
G1-1/4-H5-08-SS	G1-1/4	6~8	42	15	48/50	10
G1-1/2-H5-08-SS	G1-1/2	6~8	48	15	55/50	10
NPT1/2-H5-04-SS	NPT1/2	2.5~4	21	13	24/26	50
NPT1/2-H5-03-SS	NPT1/2	2~3	21	13	24/26	50
NPT3/4-H5-06-SS	NPT3/4	4~6	26.6	13	30/31	50
NPT1-H5-08-SS	NPT1	7~9	33.5	15	38/40	20
NPT1-1/4-H5-08-SS	NPT1-1/4	6~8	42	15	48/50	10
NPT1-1/2-H5-08-SS	NPT1-1/2	6~8	48	15	55/50	10

H 系列-六孔不锈钢防水接头-M

H series - Multi hole stainless steel cable gland M

- 产品材料: 默认 304, 密封件为 EPDM 橡胶
 - 防护等级: IP68
 - 工作温度: $-40^{\circ} \sim 105^{\circ}$
 - 阻燃等级: UL94V-2, 可定制 V0 级阻燃
 - 订购说明: 默认不附螺母
- ☆特别提示: 带*为非防爆定制产品, 可能有一定的交期

-
- Materials: SUS304+EPDM
 - Waterproof: IP68
 - Temperature: $-40^{\circ} \sim 105^{\circ}$, Short-term 120°
 - fire prevention: UL94V-2, Customizable V0
 - Ordering Information: Without nut
- ☆Special tips: With * to be customized



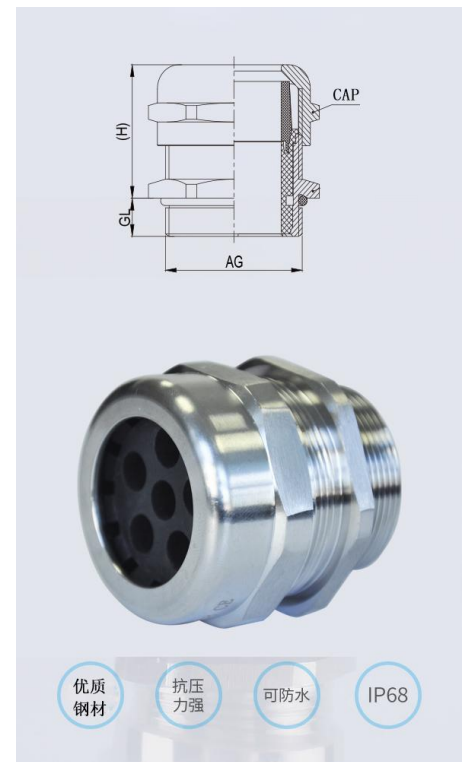
蓝江产品型号	螺纹规格	电缆范围	建议开孔	螺纹长度	扳手尺寸	包装
Product model	Thread size	Cable range	Opening size	Thread length	Wrench Size	quantity
PN.	Metric	mm	mm	mm	nut/cap mm	Pcs/bag
MG16-H6-02-SS	M16×1.5	1.2~2.1	16.5	9.5	20/21	50
MG18-H6-02-SS	M18×1.5	1.2~2.1	18.5	9.5	21/21	50
MG20-H6-04-SS	M20×1.5	2~4	20.5	12	24/26	50
MG20-H6-03-SS	M20×1.5	1.5~3	20.5	12	24/26	50
MG22-H6-04-SS	M22×1.5	2~4	22.5	12	26/26	50
MG24-H6-04-SS	M24×1.5	2~4	24.5	10.5	28/26	50
MG25-H6-05-SS	M25×1.5	3~5	25.5	12	30/31	50
MG27-H6-05-SS	M27×1.5/2.0	3~5	27.5	12	30/31	50
MG30-H6-05-SS	M30×1.5/2.0	3~5	30.5	12.5	34/40	50
MG32-H6-07-SS	M32×1.5	5~7	32.5	12.5	38/40	20
MG32-H6-05-SS	M32×1.5	3~5	32.5	12.5	38/40	20
MG36-H6-07-SS	M36×1.5/2.0	5~7	36.5	13	42/40	20
MG40-H6-10-SS	M40×1.5/2.0	7~10	40.5	14	48/50	10
MG40-H6-08-SS	M40×1.5/2.0	6~8	40.5	14	48/50	10
MG42-H6-10-SS	M42×2.0	7~10	42.5	15	48/50	10
MG42-H6-08-SS	M42×2.0	6~8	42.5	15	48/50	10
MG48-H6-10-SS	M48×2.0	7~10	48.5	15	58/50	10
MG48-H6-08-SS	M48×2.0	6~8	48.5	15	58/50	10
MG50S-H6-10-SS	M50×1.5	7~10	50.5	15	54/50	10
MG63-H6-12-SS	M63×1.5	9~12	64.5	15	71/76	1

H 系列-六孔不锈钢防水接头-PG

H series - Multi hole stainless steel cable gland PG

- 产品材料: 默认 304, 密封件为 EPDM 橡胶
 - 防护等级: IP68
 - 工作温度: $-40^{\circ} \sim 105^{\circ}$
 - 阻燃等级: UL94V-2, 可定制 V0 级阻燃
 - 订购说明: 默认不附螺母
- ☆特别提示: 带*为非防爆定制产品, 可能有一定的交期

-
- Materials: SUS304+EPDM
 - Waterproof: IP68
 - Temperature: $-40^{\circ} \sim 105^{\circ}$, Short-term 120°
 - fire prevention: UL94V-2, Customizable V0
 - Ordering Information: Without nut
- ☆Special tips: With * to be customized



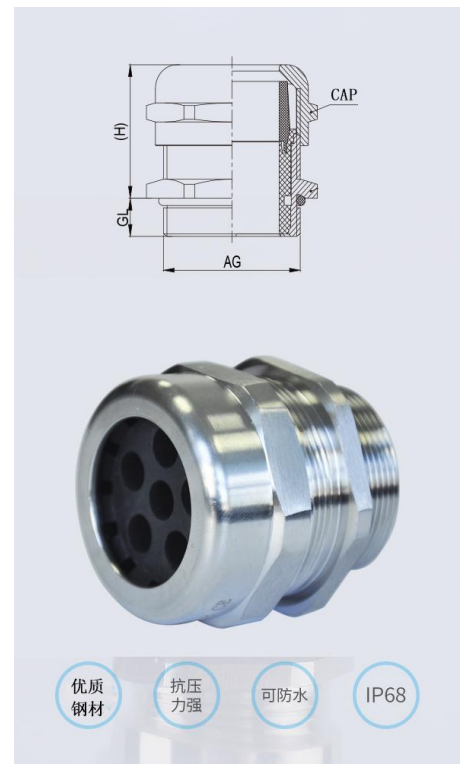
蓝江产品型号	螺纹规格	电缆范围	建议开孔	螺纹长度	扳手尺寸	包装
Product model	Thread size	Cable range	Opening size	Thread length	Wrench Size	quantity
PN.	PG	mm	mm	mm	nut/cap mm	Pcs/bag
PG11-H6-02-SS	PG11	1.2~2.1	19	9.5	21/21	50
PG13.5-H6-03-SS	PG13.5	1.5~3	21	10.5	24/24	50
PG16-H6-04-SS	PG16	2~4	23	12	26/26	50
PG16-H6-03-SS	PG16	1.5~3	23	12	26/26	50
PG19-H6-04-SS	PG19	2~4	24.5	10.5	28/26	50
PG19-H6-03-SS	PG19	1.5~3	24.5	10.5	28/26	50
PG21-H6-05-SS	PG21	3~5	28.5	12	32/31	50
PG25-H6-05-SS	PG25	3~5	30.2	12.5	34/31	50
PG29-H6-07-SS	PG29	5~7	37.2	12.5	40/40	20
PG29-H6-05-SS	PG29	3~5	37.2	12.5	40/40	20
PG36-H6-10-SS	PG36	7~10	47.5	15	58/50	10
PG36-H6-08-SS	PG36	6~8	47.5	15	58/50	10
*PG42-H6-10-SS	PG42	7~10	54.5	15	60/60	10
PG48-H6-12-SS	PG48	9~12	60	15	71/65	1

H 系列-六孔不锈钢防水接头-G/NPT

H series - Multi hole stainless steel cable gland G/NPT

- 产品材料: 默认 304, 密封件为 EPDM 橡胶
 - 防护等级: IP68
 - 工作温度: $-40^{\circ} \sim 105^{\circ}$
 - 阻燃等级: UL94V-2, 可定制 V0 级阻燃
 - 订购说明: 默认不附螺母
- ☆特别提示: 带*为非防爆定制产品, 可能有一定的交期

-
- Materials: SUS304+EPDM
 - Waterproof: IP68
 - Temperature: $-40^{\circ} \sim 105^{\circ}$, Short-term 120°
 - fire prevention: UL94V-2, Customizable V0
 - Ordering Information: Without nut
- ☆Special tips: With * to be customized



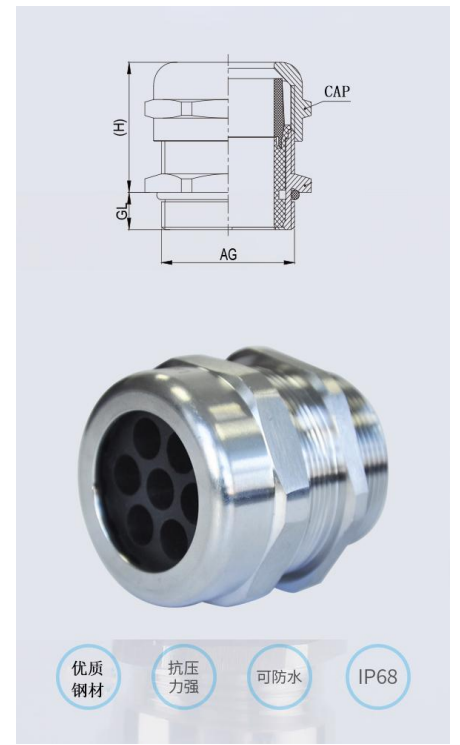
蓝江产品型号	螺纹规格	电缆范围	建议开孔	螺纹长度	扳手尺寸	包装
Product model	Thread size	Cable range	Opening size	Thread length	Wrench Size	quantity
PN.	G (PF)	mm	mm	mm	nut/cap mm	Pcs/bag
G3/8-H6-02-SS	G3/8	1.2~2.1	16.6	9.5	21/21	50
G1/2-H6-04-SS	G1/2	2~4	21	12	24/26	50
G1/2-H6-03-SS	G1/2	1.5~3	21	12	24/26	50
G3/4-H6-05-SS	G3/4	3~5	26.6	12	30/31	50
G1-H6-07-SS	G1	5~7	33.5	15	38/40	20
G1-H6-05-SS	G1	3~5	33.5	15	38/40	20
G1-1/4-H6-10-SS	G1-1/4	7~10	42	15	48/50	10
G1-1/4-H6-08-SS	G1-1/4	6~8	42	15	48/50	10
G1-1/2-H6-10-SS	G1-1/2	7~10	48	15	55/50	10
G1-1/2-H6-08-SS	G1-1/2	6~8	48	15	55/50	10
G2-H6-12-SS	G2	9~12	60	15	71/76	1
NPT3/8-H6-02-SS	NPT3/8	1.2~2.1	16.6	10	21/21	50
NPT1/2-H6-04-SS	NPT1/2	2~4	21	13	24/26	50
NPT1/2-H6-03-SS	NPT1/2	1.5~3	21	13	24/26	50
NPT3/4-H6-05-SS	NPT3/4	3~5	26.6	13	30/31	50
NPT1-H6-07-SS	NPT1	5~7	33.5	15	38/40	20
NPT1-H6-05-SS	NPT1	3~5	33.5	15	38/40	20
NPT1-1/4-H6-10-SS	NPT1-1/4	7~10	42	15	48/50	10
NPT1-1/4-H6-08-SS	NPT1-1/4	6~8	42	15	48/50	10
NPT1-1/2-H6-10-SS	NPT1-1/2	7~10	48	15	55/60	10
NPT1-1/2-H6-08-SS	NPT1-1/2	6~8	48	15	55/50	10
NPT2-H6-12-SS	NPT2	9~12	60	15	71/76	1

H 系列-七孔不锈钢防水接头

H series - Multi hole stainless steel cable gland

- 产品材料: 默认 304, 密封件为 EPDM 橡胶
 - 防护等级: IP68
 - 工作温度: $-40^{\circ} \sim 105^{\circ}$
 - 阻燃等级: UL94V-2, 可定制 V0 级阻燃
 - 订购说明: 默认不附螺母
- ☆特别提示: 带*为非防爆定制产品, 可能有一定的交期

-
- Materials: SUS304+EPDM
 - Waterproof: IP68
 - Temperature: $-40^{\circ} \sim 105^{\circ}$, Short-term 120°
 - fire prevention: UL94V-2, Customizable V0
 - Ordering Information: Without nut
- ☆Special tips: With * to be customized



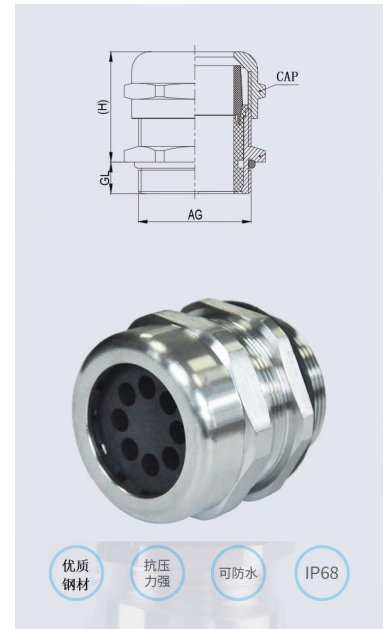
蓝江产品型号	螺纹规格	电缆范围	建议开孔	螺纹长度	扳手尺寸	包装
Product model	Thread size	Cable range	Opening size	Thread length	Wrench Size	quantity
PN.	M-PG-G-NPT	mm	mm	mm	nut/cap mm	Pcs/bag
MG25-H7-04-SS	M25×1.5	2.5~4	25.5	12	30/31	50
MG27-H7-04-SS	M27×1.5/2.0	2.5~4	27.5	12	30/31	50
MG30-H7-04-SS	M30×1.5/2.0	2.5~4	30.5	12.5	34/40	50
MG40-H7-08-SS	M40×1.5/2.0	6~8	40.5	14	48/50	10
MG42-H7-08-SS	M42×2.0	6~8	42.5	15	48/50	10
MG48-H7-08-SS	M48×2.0	6~8	48.5	15	58/50	10
PG21-H7-04-SS	PG21	2.5~4	28.5	12	32/31	50
PG36-H7-08-SS	PG36	6~8	47.5	15	58/50	10
G3/4-H7-04-SS	G3/4	2.5~4	26.6	12	30/31	50
G1-1/4-H7-08-SS	G1-1/4	6~8	42	15	48/50	10
G1-1/2-H7-08-SS	G1-1/2	6~8	48	15	55/50	10
NPT3/4-H7-04-SS	NPT3/4	2.5~4	26.6	13	30/31	50
NPT1-1/4-H7-08-SS	NPT1-1/4	6~8	42	15	48/50	10
NPT1-1/2-H7-08-SS	NPT1-1/2	6~8	48	15	55/50	10

H 系列-八孔不锈钢防水接头

H series - Multi hole stainless steel cable gland

- 产品材料: 默认 304, 密封件为 EPDM 橡胶
- 防护等级: IP68
- 工作温度: $-40^{\circ} \sim 105^{\circ}$
- 阻燃等级: UL94V-2, 可定制 V0 级阻燃
- 订购说明: 默认不附螺母

-
- Materials: SUS304+EPDM
 - Waterproof: IP68
 - Temperature: $-40^{\circ} \sim 105^{\circ}$, Short-term 120°
 - fire prevention: UL94V-2, Customizable V0
 - Ordering Information: Without nut



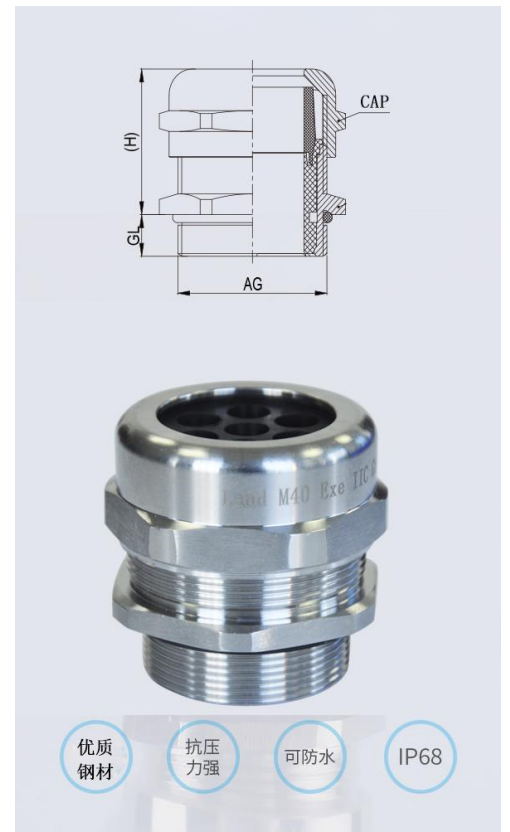
蓝江产品型号	螺纹规格	电缆范围	建议开孔	螺纹长度	扳手尺寸	包装
Product model	Thread size	Cable range	Opening size	Thread length	Wrench Size	quantity
PN.	M-PG-G-NPT	mm	mm	mm	nut/cap mm	Pcs/bag
MG16-H8-02-SS	M16×1.5	1.2~2.1	16.5	9.5	20/21	50
MG18-H8-02-SS	M18×1.5	1.2~2.1	18.5	9.5	21/21	50
MG25-H8-04-SS	M25×1.5	2.5~4	25.5	12	30/31	50
MG27-H8-04-SS	M27×1.5/2.0	2.5~4	27.5	12	30/31	50
MG30-H8-04-SS	M30×1.5/2.0	2.5~4	30.5	12.5	34/40	50
MG40-H8-06-SS	M40×1.5/2.0	4~6	40.5	14	48/50	10
MG40-H8-05-SS	M40×1.5/2.0	3~5	40.5	14	48/50	10
MG42-H8-06-SS	M42×2.0	4~6	42.5	15	48/50	10
MG48-H8-06-SS	M48×2.0	4~6	48.5	15	58/50	10
PG11-H8-02-SS	PG11	1.2~2.1	19	9.5	21/21	50
PG21-H8-04-SS	PG21	2.5~4	28.5	12	32/31	50
PG36-H8-06-SS	PG36	4~6	47.5	15	58/50	10
PG36-H8-05-SS	PG36	3~5	47.5	15	58/50	10
G3/4-H8-04-SS	G3/4	2.5~4	26.6	12	30/31	50
G1-1/4-H8-06-SS	G1-1/4	4~6	42	15	48/50	10
G1-1/4-H8-05-SS	G1-1/4	3~5	42	15	48/50	10
G1-1/2-H8-06-SS	G1-1/2	4~6	48	15	55/50	10
G1-1/2-H8-05-SS	G1-1/2	3~5	48	15	55/50	10
NPT3/4-H8-04-SS	NPT3/4	2.5~4	26.6	13	30/31	50
NPT1-1/4-H8-06-SS	NPT1-1/4	4~6	42	15	48/50	10
NPT1-1/2-H8-06-SS	NPT1-1/2	4~6	48	15	55/50	10

H 系列-九孔不锈钢防水接头

H series - Multi hole stainless steel cable gland M

- 产品材料: 默认 304, 密封件为 EPDM 橡胶
 - 防护等级: IP68
 - 工作温度: $-40^{\circ} \sim 105^{\circ}$
 - 阻燃等级: UL94V-2, 可定制 V0 级阻燃
 - 订购说明: 默认不附螺母
- ☆特别提示: 带*为非防爆定制产品, 可能有一定的交期

-
- Materials: SUS304+EPDM
 - Waterproof: IP68
 - Temperature: $-40^{\circ} \sim 105^{\circ}$, Short-term 120°
 - fire prevention: UL94V-2, Customizable V0
 - Ordering Information: Without nut
- ☆Special tips: With * to be customized



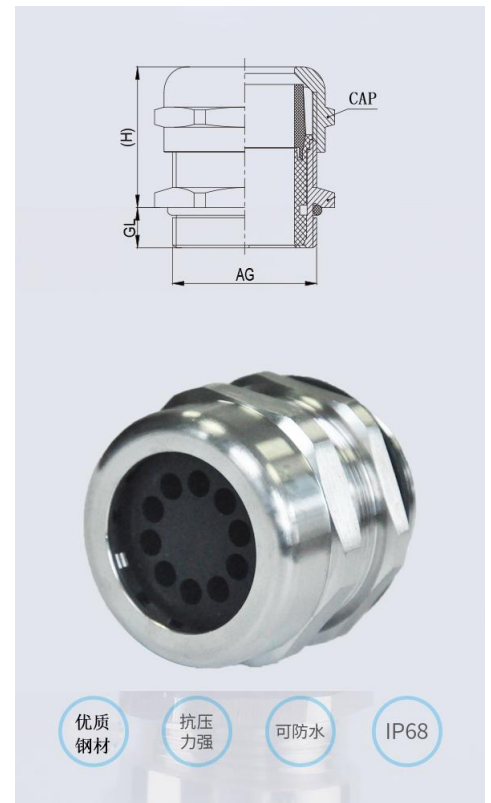
蓝江产品型号	螺纹规格	电缆范围	建议开孔	螺纹长度	扳手尺寸	包装
Product model	Thread size	Cable range	Opening size	Thread length	Wrench Size	quantity
PN.	M-PG-G-NPT	mm	mm	mm	nut/cap mm	Pcs/bag
MG40-H9-05-SS	M40×1.5	3~5	40.5	14	48/50	10
MG42-H9-05-SS	M42×2.0	3~5	42.5	15	48/50	10
MG48-H9-05-SS	M48×2.0	3~5	48.5	15	58/50	10
*MG50-H9-06-SS	M50×1.5	4~6	50.5	15	58/60	10
MG50S-H9-05-SS	M50×1.5	3~5	50.5	15	54/50	10
*MG63-H9-08-SS	M63×1.5	6~8	64.5	15	71/76	1
PG36-H9-05-SS	PG36	3~5	47.5	15	58/50	10
*PG42-H9-06-SS	PG42	6~8	54.5	15	60/60	10
*PG48-H9-08-SS	PG48	8~10	60	15	71/65	1
G1-1/4-H9-05-SS	G1-1/4	3~5	42	15	48/50	10
G1-1/2-H9-05-SS	G1-1/2	3~5	48	15	55/50	10
NPT1-1/4-H9-05-SS	NPT1-1/4	3~5	42	15	48/50	10
NPT1-1/2-H9-05-SS	NPT1-1/2	3~5	48	15	55/50	10

H 系列-十孔不锈钢防水接头

H series - Multi hole stainless steel cable gland M

- 产品材料: 默认 304, 密封件为 EPDM 橡胶
 - 防护等级: IP68
 - 工作温度: $-40^{\circ} \sim 105^{\circ}$
 - 阻燃等级: UL94V-2, 可定制 V0 级阻燃
 - 订购说明: 默认不附螺母
- ☆特别提示: 带*为非防爆定制产品, 可能有一定的交期

-
- Materials: SUS304+EPDM
 - Waterproof: IP68
 - Temperature: $-40^{\circ} \sim 105^{\circ}$, Short-term 120°
 - fire prevention: UL94V-2, Customizable V0
 - Ordering Information: Without nut
- ☆Special tips: With * to be customized



蓝江产品型号	螺纹规格	电缆范围	建议开孔	螺纹长度	扳手尺寸	包装
Product model	Thread size	Cable range	Opening size	Thread length	Wrench Size	quantity
PN.	M-PG-G-NPT	mm	mm	mm	nut/cap mm	Pcs/bag
MG40-H10-05-SS	M40×1.5	3~5	40.5	14	48/50	10
MG42-H10-05-SS	M42×2.0	3~5	42.5	15	48/50	10
MG48-H10-05-SS	M48×2.0	3~5	48.5	15	58/50	10
*MG50-H10-06-SS	M50×1.5	4~6	50.5	15	58/60	10
MG50S-H10-05-SS	M50×1.5	3~5	50.5	15	54/50	10
PG36-H10-05-SS	PG36	3~5	47.5	15	58/50	10
*PG42-H10-05-SS	PG42	3~5	54.5	15	60/60	10
G1-1/4-H10-05-SS	G1-1/4	3~5	42	15	48/50	10
G1-1/2-H10-05-SS	G1-1/2	3~5	48	15	55/50	10
NPT1-1/4-H10-05-SS	NPT1-1/4	3~5	42	15	48/50	10
NPT1-1/2-H10-05-SS	NPT1-1/2	3~5	48	15	55/50	10