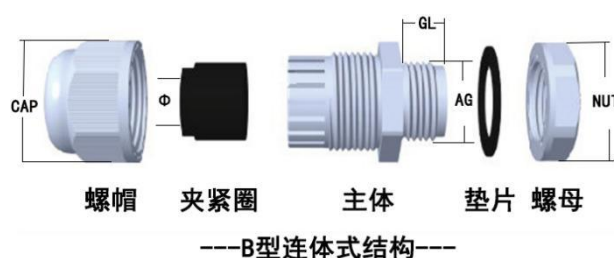


B 型连体-尼龙电缆防水接头

Type B - Nylon waterproof cable gland

- 产品材料: 尼龙+EPDM 橡胶
- 防护等级: IP68
- 工作温度: $-40^{\circ} \sim 105^{\circ}$ 零件无损坏且保障设备正常运转
- 阻燃等级: UL94V-2, 可定制 V0 级阻燃
- 产品性能: 符合 ROHS2.0 标准, 欧盟 CE, IP68 防护
- 订购说明: 标配螺母, 黑色 B(RAL9005), 灰白色 G(RAL7035) 后缀 ST 为短螺纹, 后缀 XA 为不带螺母, L 加长, S 缩小

- **Materials:** Nylon + EPDM rubber
- **Waterproof:** Within the clamping range, The waterproof grade can reach IP68
- **Temperature:** $-40^{\circ} \sim 105^{\circ}$, Short-term 120°
- **fire prevention:** UL94V-2, Customizable V0
- **performance:** rohs2 0 standard, EU CE, IP68
- **Ordering Information:** Standard nut, black (RAL9005) gray white (RAL7035) optional, Suffix st is short thread, suffix XA is without nut, l is lengthened, s is reduced



公制 M 螺纹/Metric thread

蓝江产品型号	螺纹规格	电缆范围	螺纹直径	螺纹长度	扳手尺寸	包装
Product model	Thread size	Cable range	Thread diameter	Thread length	Wrench Size	quantity
PN.	Metric	ϕ mm	AG mm	GL mm	nut/cap mm	Pcs/bag
MG8B-04	M8×1.25	2~4.5	8	7.5	13/12	50
MG10B-06	M10×1.5	3~6	10	8	15/12	50
MG10B-03	M10×1.5	2~3	10	8	15/12	50
MG12B-08	M12×1.5	4~8	12	8.5	18/19	50
MG12B-05	M12×1.5	3~5	12	8.5	18/19	50
MG12BL-08	M12×1.5	4~8	12	15	18/19	50
MG12BL-05	M12×1.5	3~5	12	15	18/19	50
MG12BS-07	M12×1.5	3~6.5	12	8.5	18/15	50
MG12BSL-07	M12×1.5	3~6.5	12	15	18/15	50
MG16B-10	M16×1.5	6~10	16	10	22/22	50
MG16B-07	M16×1.5	4~7	16	10	22/22	50
MG16BL-10	M16×1.5	6~10	16	15	22/22	50
MG16BL-07	M16×1.5	4~7	16	15	22/22	50
MG16BS-08	M16×1.5	4~8	16	10	22/19	50
MG16BS-05	M16×1.5	3~5	16	10	22/19	50
MG16BSL-08	M16×1.5	4~8	16	15	22/19	50
MG16BSL-05	M16×1.5	3~5	16	15	22/19	50
MG18B-10	M18×1.5	6~10	18	10	24/22	50
MG18B-07	M18×1.5	4~7	18	10	24/22	50
MG18BL-10	M18×1.5	6~10	18	15	24/22	50
MG18BL-07	M18×1.5	4~7	18	15	24/22	50

蓝江产品型号	螺纹规格	电缆范围	螺纹直径	螺纹长度	扳手尺寸	包装
Product model	Thread size	Cable range	Thread diameter	Thread length	Wrench Size	quantity
PN.	Metric	φ mm	AG mm	GL mm	nut/cap mm	Pcs/bag
MG20B-14	M20×1.5	8~14	20	10	27/27	50
MG20B-11	M20×1.5	6~11	20	10	27/27	50
MG20B-07	M20×1.5	4~7	20	10	27/27	50
MG20BL-14	M20×1.5	8~14	20	15	27/27	50
MG20BL-11	M20×1.5	6~11	20	15	27/27	50
MG20BL-07	M20×1.5	4~7	20	15	27/27	50
MG20BS-12	M20×1.5	6~12	20	10	27/24	50
MG20BS-09	M20×1.5	5~9	20	10	27/24	50
MG20BSL-12	M20×1.5	6~12	20	15	27/24	50
MG20BSL-09	M20×1.5	5~9	20	15	27/24	50
MG20BM-10	M20×1.5	6~10	20	10	27/22	50
MG20BM-07	M20×1.5	4~7	20	10	27/22	50
MG22B-14	M22×1.5	8~14	22	10	29/27	50
MG22B-11	M22×1.5	6~11	22	10	29/27	50
MG24B-14	M24×1.5	8~14	24	10	30/27	50
MG25B-18	M25×1.5	13~18	25	12	33/33	50
MG25B-13	M25×1.5	7~13	25	12	33/33	50
MG25B-08	M25×1.5	4~8	25	12	33/33	50
MG25BL-18	M25×1.5	13~18	25	15	33/33	50
MG25BL-13	M25×1.5	7~13	25	15	33/33	50
MG25BL-08	M25×1.5	4~8	25	15	33/33	50
MG25BS-14	M25×1.5	8~14	25	12	33/27	50
MG25BS-10	M25×1.5	6~10	25	12	33/27	50
MG25BS-07	M25×1.5	4~7	25	12	33/27	50
MG27B-18	M27×1.5	13~18	27	10	36/33	50
MG30B-20	M30×1.5	16~21	30	12	37/35	50
MG32B-25	M32×1.5	18~25	32	15	41/41	20
MG32B-22	M32×1.5	16~22	32	15	41/41	20
MG32B-18	M32×1.5	13~18	32	15	41/41	20
MG32B-12	M32×1.5	8~12	32	15	41/41	20
MG32BS-18	M32×1.5	13~18	32	15	41/33	20
MG32BS-13	M32×1.5	7~13	32	15	41/33	20
MG32BS-08	M32×1.5	4~8	32	15	41/33	20
MG36B-25	M36×1.5	18~25	36	12	45/41	20
MG36B-22	M36×1.5	16~22	36	12	45/41	20
MG36B-18	M36×1.5	13~18	36	12	45/41	20
MG36B-12	M36×1.5	8~12	36	12	45/41	20
MG40B-32	M40×1.5	24~32	40	20	50/50	10
MG40B-25	M40×1.5	18~25	40	20	50/50	10
MG40BS-25	M40×1.5	18~25	40	20	50/41	10
MG40BS-22	M40×1.5	16~22	40	20	50/41	10
MG40BS-18	M40×1.5	13~18	40	20	50/41	10
MG40BS-12	M40×1.5	8~12	40	20	50/41	10
MG50B-41	M50×1.5	31~41	50	22	62/62	10
MG50B-28	M50×1.5	22~28	50	22	62/62	10
MG63B-45	M63×1.5	35~45	63	18	75/65	10

德制 PG 牙/PG thread

蓝江产品型号	螺纹规格	电缆范围	螺纹直径	螺纹长度	扳手尺寸	包装
Product model	Thread size	Cable range	Thread diameter	Thread length	Wrench Size	quantity
PN.	PG	φ mm	AG mm	GL mm	nut/cap mm	Pcs/bag
PG7B-08	PG7	4~8	12.5	8.5	17/19	50
PG7B-05	PG7	3~5	12.5	8.5	17/19	50
PG7BL-08	PG7	4~8	12.5	15	17/19	50
PG7BL-05	PG7	3~5	12.5	15	17/19	50
PG7BS-07	PG7	3~6.5	12.5	8.5	17/15	50
PG7BSL-07	PG7	3~6.5	12.5	15	17/15	50
PG9B-08	PG9	4~8	15.2	8.5	22/19	50
PG9B-05	PG9	3~5	15.2	8.5	22/19	50
PG9BL-08	PG9	4~8	15.2	15	22/19	50
PG9BL-05	PG9	3~5	15.2	15	22/19	50
PG11B-10	PG11	6~10	18.6	10	22/22	50
PG11B-07	PG11	4~7	18.6	10	22/22	50
PG11BL-10	PG11	6~10	18.6	15	22/22	50
PG11BL-07	PG11	4~7	18.6	15	22/22	50
PG13.5B-12	PG13.5	6~12	20.4	10	27/24	50
PG13.5B-09	PG13.5	5~9	20.4	10	27/24	50
PG13.5BL-12	PG13.5	6~12	20.4	15	27/24	50
PG13.5BL-09	PG13.5	5~9	20.4	15	27/24	50
PG16B-14	PG16	8~14	22.5	11	30/27	50
PG16B-11	PG16	6~11	22.5	11	30/27	50
PG16B-07	PG16	4~7	22.5	11	30/27	50
PG16BL-14	PG16	8~14	22.5	15	30/27	50
PG16BL-11	PG16	6~11	22.5	15	30/27	50
PG16BL-07	PG16	4~7	22.5	15	30/27	50
PG19B-14	PG19	8~14	23.5	11	30/27	50
PG19B-11	PG19	6~11	23.5	11	30/27	50
PG19B-07	PG19	4~7	23.5	11	30/27	50
PG21B-18	PG21	13~18	28.3	12	36/33	50
PG21B-13	PG21	8~13	28.3	12	36/33	50
PG21B-08	PG21	4~8	28.3	12	36/33	50
PG21BL-18	PG21	13~18	28.3	15	36/33	50
PG21BL-13	PG21	8~13	28.3	15	36/33	50
PG21BL-08	PG21	4~8	28.3	15	36/33	50
PG29B-25	PG29	18~25	37	12	46/41	20
PG29B-22	PG29	16~22	37	12	46/41	20
PG29B-18	PG29	13~18	37	12	46/41	20
PG29B-12	PG29	7~12	37	12	46/41	20
PG36B-32	PG36	24~32	47	15	57/50	10
PG36B-25	PG36	18~25	47	15	57/50	10
PG42B-41	PG42	31~41	54	15.5	64/62	10
PG42B-28	PG42	22~28	54	15.5	64/62	10
PG48B-45	PG48	35~45	59.3	15.5	70/65	10

英制 G(PF) 管牙 / G(PF) pipe thread

蓝江产品型号	螺纹规格	电缆范围	螺纹直径	螺纹长度	扳手尺寸	包装
Product model	Thread size	Cable range	Thread diameter	Thread length	Wrench Size	quantity
PN.	G(PF)	ϕ mm	AG mm	GL mm	nut/cap mm	Pcs/bag
G1/4B-08	G1/4	4~8	13.15	8.5	19/19	50
G1/4B-05	G1/4	3~5	13.15	8.5	19/19	50
G3/8B-10	G3/8	6~10	16.66	10	22/22	50
G3/8B-07	G3/8	4~7	16.66	10	22/22	50
G1/2B-12	G1/2	6~12	20.95	10	27/24	50
G1/2B-09	G1/2	5~9	20.95	10	27/24	50
G3/4B-18	G3/4	13~18	26.44	12	33/33	50
G3/4B-13	G3/4	7~13	26.44	12	33/33	50
G3/4B-08	G3/4	4~8	26.44	12	33/33	50
G1B-25	G1	18~25	33.2	13.5	42/41	20
G1B-22	G1	16~22	33.2	13.5	42/41	20
G1B-18	G1	13~18	33.2	13.5	42/41	20
G1B-12	G1	7~12	33.2	13.5	42/41	20
G1-1/4B-32	G1-1/4	24~32	41.9	15	51/50	10
G1-1/4B-25	G1-1/4	18~25	41.9	15	51/50	10
G1-1/2B-41	G1-1/2	31~41	47.8	16	62/62	10
G1-1/2B-28	G1-1/2	22~28	47.8	16	62/62	10
G2B-45	G2	35~45	59.6	25	75/75	10

美制 NPT 牙 / NPT thread

蓝江产品型号	螺纹规格	电缆范围	螺纹直径	螺纹长度	扳手尺寸	包装
Product model	Thread size	Cable range	Thread diameter	Thread length	Wrench Size	quantity
PN.	G(PF)	ϕ mm	AG mm	GL mm	nut/cap mm	Pcs/bag
NPT3/8B-10	NPT3/8	6~10	16.66	10	22	50
NPT3/8B-07	NPT3/8	4~7	16.66	10	22	50
NPT1/2B-12	NPT1/2	6~12	20.95	10	27	50
NPT1/2B-09	NPT1/2	5~9	20.95	10	27	50
NPT3/4B-18	NPT3/4	13~18	26.44	15	33	50
NPT3/4B-13	NPT3/4	7~13	26.44	15	33	50
NPT3/4B-08	NPT3/4	4~8	26.44	15	33	50
NPT1B-25	NPT1	18~25	33.5	17	41	20
NPT1B-22	NPT1	16~22	33.5	17	41	20
NPT1B-18	NPT1	13~18	33.5	17	41	20
NPT1B-12	NPT1	7~12	33.5	17	41	20
NPT1-1/4B-32	NPT1-1/4	24~32	42	17	50	10
NPT1-1/4B-25	NPT1-1/4	18~25	42	17	50	10
NPT1-1/2B-41	NPT1-1/2	31~41	48	17	52	10
NPT1-1/2B-28	NPT1-1/2	22~28	48	17	52	10
NPT2B-45	NPT2	35~45	60	20	68	10

A 型分体-尼龙电缆防水接头

Type A - Nylon waterproof cable gland

- 产品材料: 尼龙+EPDM 橡胶
- 防护等级: IP68
- 工作温度: $-40^{\circ} \sim 105^{\circ}$ 零件无损坏且保障设备正常运转
- 阻燃等级: UL94V-2, 可定制 V0 级阻燃
- 产品性能: 符合 ROHS2.0 标准, 欧盟 CE, IP68 防护
- 订购说明: 标配螺母, 黑色 B(RAL9005), 灰白色 G(RAL7035)

- Materials: Nylon + EPDM rubber
- Waterproof: IP68
- Temperature: $-40^{\circ} \sim 105^{\circ}$, Short-term 120°
- fire prevention: UL94V-2, Customizable V0
- performance: rohs2 0 standard, EU CE, IP68
- Ordering Information: Standard nut, black (RAL9005) gray white (RAL7035)



---A型分体式结构---

英制 G(PF)管牙/ G(PF) pipe thread

蓝江产品型号	螺纹规格	电缆范围	螺纹直径	螺纹长度	扳手尺寸	包装
Product model	Thread size	Cable range	Thread diameter	Thread length	Wrench Size	quantity
PN.	Metric	ϕ mm	AG mm	GL mm	nut/cap mm	Pcs/bag
G1/4A-08	G1/4	4~8	13.15	8.5	19/19	50
G1/4A-05	G1/4	3~5	13.15	8.5	19/19	50
G1/4A-03	G1/4	2~3	13.15	8.5	19/19	50
G3/8A-10	G3/8	6~10	16.66	15	22/22	50
G3/8A-07	G3/8	4~7	16.66	15	22/22	50
G1/2A-12	G1/2	6~12	20.95	10	27/24	50
G1/2A-10	G1/2	5.5~10	20.95	10	27/24	50
G1/2A-09	G1/2	5~9	20.95	10	27/24	50
G1/2AL-14	G1/2	8~14	20.95	15	30/27	50
G1/2AL-11	G1/2	6~11	20.95	15	30/27	50
G1/2AL-06	G1/2	3~6.5	20.95	15	30/27	50
G3/4A-18	G3/4	13~18	26.44	15	33/33	50
G3/4A-16	G3/4	10~16	26.44	15	33/33	50
G3/4A-14	G3/4	8~14	26.44	15	33/33	50
G3/4A-13	G3/4	7~13	26.44	15	33/33	50
G3/4A-10	G3/4	6~10	26.44	15	33/33	50
G1-1/4A-32	G1-1/4	24~32	41.9	16	51/50	10
G1-1/4A-25	G1-1/4	18~25	41.9	16	51/50	10
G1-1/2A-41	G1-1/2	31~41	47.8	22	62/62	10
G1-1/2A-33	G1-1/2	26~33	47.8	22	62/62	10
G2A-51	G2	44~51	59.6	25	75/75	10
G2A-46	G2	39~46	59.6	25	75/75	10

公制 M 螺纹/Metric thread

蓝江产品型号	螺纹规格	电缆范围	螺纹直径	螺纹长度	扳手尺寸	包装
Product model	Thread size	Cable range	Thread diameter	Thread length	Wrench Size	quantity
PN.	Metric	φ mm	AG mm	GL mm	nut/cap mm	Pcs/bag
MG12A-08	M12×1.5	4~8	12	8.5	18/19	50
MG12A-05	M12×1.5	3~5	12	8.5	18/19	50
MG12A-03	M12×1.5	2~3	12	8.5	18/19	50
MG16A-10	M16×1.5	6~10	16	15	22/22	50
MG16A-07	M16×1.5	4~7	16	15	22/22	50
MG16A-05	M16×1.5	3~5	16	15	22/22	50
MG16A-04	M16×1.5	2~4	16	15	22/22	50
MG16AS-08	M16×1.5	4~8	16	15	22/19	50
MG16AS-05	M16×1.5	3~5	16	15	22/19	50
MG16AS-03	M16×1.5	2~3	16	15	22/19	50
MG20A-14	M20×1.5	8~14	20	15	27/27	50
MG20A-11	M20×1.5	6~11	20	15	27/27	50
MG20A-06	M20×1.5	3~6.5	20	15	27/27	50
MG20AS-12	M20×1.5	6~12	20	10	27/24	50
MG20AS-09	M20×1.5	5~9	20	10	27/24	50
MG22A-14	M22×1.5	8~14	22	10	29/27	50
MG22A-11	M22×1.5	6~11	22	10	29/27	50
MG25A-18	M25×1.5	13~18	25	15	33/33	50
MG25A-16	M25×1.5	10~16	25	15	33/33	50
MG25A-14	M25×1.5	8~14	25	15	33/33	50
MG25A-13	M25×1.5	7~13	25	15	33/33	50
MG25A-10	M25×1.5	6~10	25	15	33/33	50
MG32A-25	M32×1.5	18~25	32	15	41/41	20
MG32A-22	M32×1.5	16~22	32	15	41/41	20
MG40A-32	M40×1.5	24~32	40	20	50/50	10
MG40A-25	M40×1.5	18~25	40	20	50/50	10
MG50A-41	M50×1.5	31~41	50	22	62/62	10
MG50A-33	M50×1.5	26~33	50	22	62/62	10
MG63A-51	M63×1.5	44~51	63	25	75/78	10
MG63A-46	M63×1.5	39~46	63	25	75/78	10
MG75A-66	M75×2.0	56~66	75	25	92/92	1
MG75A-62	M75×2.0	56~62	75	25	92/92	1
MG75A-56	M75×2.0	50~56	75	25	92/92	1
MG90A-77	M90×2.0	66~77	90	25	110/110	1
MG90A-68	M90×2.0	58~68	90	25	110/110	1

德制 PG 牙/PG thread

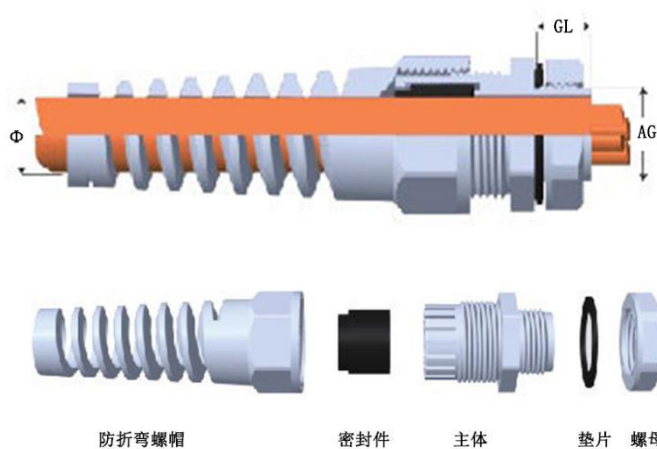
蓝江产品型号	螺纹规格	电缆范围	螺纹直径	螺纹长度	扳手尺寸	包装
Product model	Thread size	Cable range	Thread diameter	Thread length	Wrench Size	quantity
PN.	Metric	φ mm	AG mm	GL mm	nut/cap mm	Pcs/bag
PG7A-08	PG7	4~8	12.5	8.5	17/19	50
PG7A-05	PG7	3~5	12.5	8.5	17/19	50
PG7A-03	PG7	2~3	12.5	8.5	17/19	50
PG7A-6.7	PG7	3~6.7	12.5	8.5	17/19	50
PG7A-6.5	PG7	3~6.5	12.5	8.5	17/19	50
PG9A-08	PG9	4~8	15.2	8.5	22/19	50
PG9A-05	PG9	3~5	15.2	8.5	22/19	50
PG9A-03	PG9	2~3	15.2	8.5	22/19	50
PG9A-6.7	PG9	3~6.7	12.5	8.5	17/19	50
PG9A-6.5	PG9	3~6.5	12.5	8.5	17/19	50
PG11A-10	PG11	6~10	18.6	10	22/22	50
PG11A-07	PG11	4~7	18.6	10	22/22	50
PG11A-05	PG11	3~5	18.6	10	22/22	50
PG11A-04	PG11	2~4	18.6	10	22/22	50
PG13.5A-12	PG13.5	6~12	20.4	10	27/24	50
PG13.5A-10	PG13.5	5.5~10	20.4	10	27/24	50
PG13.5A-09	PG13.5	5~9	20.4	10	27/24	50
PG16A-14	PG16	8~14	22.5	11	30/27	50
PG16A-11	PG16	6~11	22.5	11	30/27	50
PG16A-06	PG16	3~6.5	22.5	11	30/27	50
PG21A-18	PG21	13~18	28.3	12	36/33	50
PG21A-16	PG21	10~16	28.3	12	36/33	50
PG21A-14	PG21	8~14	28.3	12	36/33	50
PG21A-13	PG21	7~13	28.3	12	36/33	50
PG21A-10	PG21	6~10	28.3	12	36/33	50
PG29A-25	PG29	18~25	37	12	46/41	20
PG29A-22	PG29	16~22	37	12	46/41	20
PG36A-32	PG36	24~32	47	15	57/50	10
PG36A-25	PG36	18~25	47	15	57/50	10
PG42A-41	PG42	31~41	54	15.5	64/62	10
PG42A-33	PG42	26~33	54	15.5	64/62	10
PG48A-51	PG48	44~51	59.3	16	75/78	10
PG48A-46	PG48	39~46	59.3	16	75/78	10

P 型-防折弯电缆防水接头

P-type - waterproof joint of stress release cable

- **产品材料:** 尼龙+EPDM 橡胶
- **防护等级:** 规定卡口范围内, 配合密封圈, 防护等级可达 IP68
- **工作温度:** 测试-40° ~105° 零件无损坏且保障设备正常运转
- **阻燃等级:** UL94V-2, 可定制 V0 级阻燃
- **产品性能:** 应力缓释设计, 保护电缆扭曲而损坏, 常用电子手轮
- **订购说明:** 标配螺母, 黑色 B(RAL9005), 灰白色 G(RAL7035)可选
后缀 ST 为短螺纹, 后缀 XA 为不带螺母, L 加长, S 缩小, D 增大
- ☆**特别提示:** 型号栏带*为非标产品, 可能无库存或只有少量库存

- **Materials:** Nylon + EPDM rubber
- **Waterproof:** Within the clamping range, The waterproof grade can reach IP68
- **Temperature:** -40° ~105° , Short-term 120°
- **fire prevention:** UL94V-2, Customizable V0
- **performance:** The stress relief design protects the cable from distortion and damage
- **Ordering Information:** Standard nut, black (RAL9005) gray white (RAL7035) optional, Suffix st is short thread, suffix XA is without nut, l is lengthened, s is reduced and D is increased
- ☆**Special tips:** The * in front of the model is a special product. There may be no or only a small amount of stock. You need to order in advance



B 型连体防折弯接头/ Type B split stress relief gland

蓝江产品型号	螺纹规格	电缆范围	螺纹直径	螺纹长度	扳手尺寸	包装
Product model	Thread size	Cable range	Thread diameter	Thread length	Wrench Size	quantity
PN.	Metric	Φ mm	AG mm	GL mm	nut/cap mm	Pcs/bag
MG12B-P-08	M12×1.5	4~8	12	8.5	18/19	50
MG12B-P-05	M12×1.5	3~5	12	8.5	18/19	50
MG12BL-P-08	M12×1.5	4~8	12	15	18/19	50
MG12BL-P-05	M12×1.5	3~5	12	15	18/19	50
MG12BS-P-07	M12×1.5	3~6.5	12	8.5	18/15	50
MG12BSL-P-07	M12×1.5	3~6.5	12	15	18/15	50
MG16B-P-10	M16×1.5	6~10	16	10	22/22	50
MG16B-P-07	M16×1.5	4~7	16	10	22/22	50
MG16BL-P-10	M16×1.5	6~10	16	15	22/22	50
MG16BL-P-07	M16×1.5	4~7	16	15	22/22	50
MG16BS-P-08	M16×1.5	4~8	16	10	22/19	50
MG16BS-P-05	M16×1.5	3~5	16	10	22/19	50
MG16BSL-P-08	M16×1.5	4~8	16	15	22/19	50
MG16BSL-P-05	M16×1.5	3~5	16	15	22/19	50
MG18B-P-10	M18×1.5	6~10	18	10	24/22	50
MG18B-P-07	M18×1.5	4~7	18	10	24/22	50
MG18BL-P-10	M18×1.5	6~10	18	15	24/22	50
MG18BL-P-07	M18×1.5	4~7	18	15	24/22	50

蓝江产品型号	螺纹规格	电缆范围	螺纹直径	螺纹长度	扳手尺寸	包装
Product model	Thread size	Cable range	Thread diameter	Thread length	Wrench Size	quantity
PN.	Metric	φ mm	AG mm	GL mm	nut/cap mm	Pcs/bag
MG20B-P-14	M20×1.5	8~14	20	10	27/27	50
MG20B-P-11	M20×1.5	6~11	20	10	27/27	50
MG20B-P-07	M20×1.5	4~7	20	10	27/27	50
MG20BL-P-14	M20×1.5	8~14	20	15	27/27	50
MG20BL-P-11	M20×1.5	6~11	20	15	27/27	50
MG20BL-P-07	M20×1.5	4~7	20	15	27/27	50
MG20BS-P-12	M20×1.5	6~12	20	10	27/24	50
MG20BS-P-09	M20×1.5	5~9	20	10	27/24	50
MG20BSL-P-12	M20×1.5	6~12	20	15	27/24	50
MG20BSL-P-09	M20×1.5	5~9	20	15	27/24	50
MG20BM-P-10	M20×1.5	6~10	20	10	27/22	50
MG20BM-P-07	M20×1.5	4~7	20	10	27/22	50
MG22B-P-14	M22×1.5	8~14	22	10	29/27	50
MG22B-P-11	M22×1.5	6~11	22	10	29/27	50
MG25B-P-18	M25×1.5	13~18	25	12	33/33	50
MG25B-P-13	M25×1.5	7~13	25	12	33/33	50
MG25B-P-08	M25×1.5	4~8	25	12	33/33	50
MG25BL-P-18	M25×1.5	13~18	25	15	33/33	50
MG25BL-P-13	M25×1.5	7~13	25	15	33/33	50
MG25BL-P-08	M25×1.5	4~8	25	15	33/33	50
MG25BS-P-14	M25×1.5	8~14	25	12	33/27	50
MG25BS-P-10	M25×1.5	6~10	25	12	33/27	50
MG25BS-P-07	M25×1.5	4~7	25	12	33/27	50
MG32B-P-25	M32×1.5	18~25	32	15	41/41	20
MG32B-P-22	M32×1.5	16~22	32	15	41/41	20
MG32B-P-18	M32×1.5	13~18	32	15	41/41	20
MG32B-P-12	M32×1.5	8~12	32	15	41/41	20
MG32BS-P-18	M32×1.5	13~18	32	15	41/33	20
MG32BS-P-13	M32×1.5	7~13	32	15	41/33	20
MG32BS-P-08	M32×1.5	4~8	32	15	41/33	20
MG36B-P-25	M36×1.5	18~25	36	12	45/41	20
MG40BS-P-25	M40×1.5	18~25	40	20	50/41	10
MG40BS-P-18	M40×1.5	13~18	40	20	50/41	10
PG7B-P-08	PG7	4~8	12.5	8.5	17/19	50
PG7B-P-05	PG7	3~5	12.5	8.5	17/19	50
PG7BL-P-08	PG7	4~8	12.5	15	17/19	50
PG7BL-P-05	PG7	3~5	12.5	15	17/19	50
PG7BS-P-07	PG7	3~6.5	12.5	8.5	17/15	50
PG7BSL-P-07	PG7	3~6.5	12.5	15	17/15	50
PG9B-P-08	PG9	4~8	15.2	8.5	22/19	50
PG9B-P-05	PG9	3~5	15.2	8.5	22/19	50
PG9BL-P-08	PG9	4~8	15.2	15	22/19	50
PG9BL-P-05	PG9	3~5	15.2	15	22/19	50
PG11B-P-10	PG11	6~10	18.6	10	22/22	50
PG11B-P-07	PG11	4~7	18.6	10	22/22	50
PG11BL-P-10	PG11	6~10	18.6	15	22/22	50

蓝江产品型号	螺纹规格	电缆范围	螺纹直径	螺纹长度	扳手尺寸	包装
Product model	Thread size	Cable range	Thread diameter	Thread length	Wrench Size	quantity
PN.	Metric	φ mm	AG mm	GL mm	nut/cap mm	Pcs/bag
PG11BL-P-07	PG11	4~7	18.6	15	22/22	50
PG13.5B-P-12	PG13.5	6~12	20.4	10	27/24	50
PG13.5B-P-09	PG13.5	5~9	20.4	10	27/24	50
PG13.5BL-P-12	PG13.5	6~12	20.4	15	27/24	50
PG13.5BL-P-09	PG13.5	5~9	20.4	15	27/24	50
PG16B-P-14	PG16	8~14	22.5	11	30/27	50
PG16B-P-11	PG16	6~11	22.5	11	30/27	50
PG16B-P-07	PG16	4~7	22.5	11	30/27	50
PG16BL-P-14	PG16	8~14	22.5	15	30/27	50
PG16BL-P-11	PG16	6~11	22.5	15	30/27	50
PG16BL-P-07	PG16	4~7	22.5	15	30/27	50
PG19B-P-14	PG19	8~14	23.5	11	30/27	50
PG19B-P-11	PG19	6~11	23.5	11	30/27	50
PG19B-P-07	PG19	4~7	23.5	11	30/27	50
PG21B-P-18	PG21	13~18	28.3	12	36/33	50
PG21B-P-13	PG21	8~13	28.3	12	36/33	50
PG21B-P-08	PG21	4~8	28.3	12	36/33	50
PG21BL-P-18	PG21	13~18	28.3	15	36/33	50
PG21BL-P-13	PG21	8~13	28.3	15	36/33	50
PG21BL-P-08	PG21	4~8	28.3	15	36/33	50
PG29B-P-25	PG29	18~25	37	12	46/41	20
PG29B-P-22	PG29	16~22	37	12	46/41	20
PG29B-P-18	PG29	13~18	37	12	46/41	20
G1/4B-P-08	G1/4	4~8	13.15	8.5	19/19	50
G1/4B-P-05	G1/4	3~5	13.15	8.5	19/19	50
G3/8B-P-10	G3/8	6~10	16.66	10	22/22	50
G3/8B-P-07	G3/8	4~7	16.66	10	22/22	50
G1/2B-P-12	G1/2	6~12	20.95	10	27/24	50
G1/2B-P-09	G1/2	5~9	20.95	10	27/24	50
G3/4B-P-18	G3/4	13~18	26.44	12	33/33	50
G3/4B-P-13	G3/4	7~13	26.44	12	33/33	50
G3/4B-P-08	G3/4	4~8	26.44	12	33/33	50
G1B-P-25	G1	18~25	33.2	13.5	42/41	20
NPT3/8B-P-10	NPT3/8	6~10	16.66	10	22	50
NPT3/8B-P-07	NPT3/8	4~7	16.66	10	22	50
NPT1/2B-P-12	NPT1/2	6~12	20.95	10	27	50
NPT1/2B-P-09	NPT1/2	5~9	20.95	10	27	50
NPT3/4B-P-18	NPT3/4	13~18	26.44	15	33	50
NPT3/4B-P-13	NPT3/4	7~13	26.44	15	33	50
NPT3/4B-P-08	NPT3/4	4~8	26.44	15	33	50
NPT1B-P-25	NPT1	18~25	33.5	17	41	20

A 型防折弯选型手册/Type A split stress relief gland

蓝江产品型号	螺纹规格	电缆范围	螺纹直径	螺纹长度	扳手尺寸	包装
Product model	Thread size	Cable range	Thread diameter	Thread length	Wrench Size	quantity
PN.	Metric	φ mm	AG mm	GL mm	nut/cap mm	Pcs/bag
MG12A-P-08	M12×1.5	4~8	12	8.5	18/19	50
MG12A-P-05	M12×1.5	3~5	12	8.5	18/19	50
MG16A-P-10	M16×1.5	6~10	16	15	22/22	50
MG16A-P-07	M16×1.5	4~7	16	15	22/22	50
MG16AS-P-08	M16×1.5	4~8	16	15	22/19	50
MG20A-P-14	M20×1.5	8~14	20	15	27/27	50
MG20A-P-11	M20×1.5	6~11	20	15	27/27	50
MG20A-P-06	M20×1.5	3~6.5	20	15	27/27	50
MG20AS-P-12	M20×1.5	6~12	20	10	27/24	50
MG20AS-P-09	M20×1.5	5~9	20	10	27/24	50
MG22A-P-14	M22×1.5	8~14	22	10	29/27	50
MG22A-P-11	M22×1.5	6~11	22	10	29/27	50
MG25A-P-18	M25×1.5	13~18	25	15	33/33	50
MG25A-P-16	M25×1.5	10~16	25	15	33/33	50
MG32A-P-25	M32×1.5	18~25	32	15	41/41	20
MG32A-P-22	M32×1.5	16~22	32	15	41/41	20
PG7A-P-08	PG7	4~8	12.5	8.5	17/19	50
PG7A-P-05	PG7	3~5	12.5	8.5	17/19	50
PG9A-P-08	PG9	4~8	15.2	8.5	22/19	50
PG9A-P-05	PG9	3~5	15.2	8.5	22/19	50
PG11A-P-10	PG11	6~10	18.6	10	22/22	50
PG11A-P-07	PG11	4~7	18.6	10	22/22	50
PG13.5A-P-12	PG13.5	6~12	20.4	10	27/24	50
PG13.5A-P-09	PG13.5	5~9	20.4	10	27/24	50
PG16A-P-14	PG16	8~14	22.5	11	30/27	50
PG16A-P-11	PG16	6~11	22.5	11	30/27	50
PG21A-P-18	PG21	13~18	28.3	12	36/33	50
PG21A-P-16	PG21	10~16	28.3	12	36/33	50
PG29A-P-25	PG29	18~25	37	12	46/41	20
G1/4A-P-08	G1/4	4~8	13.15	8.5	19/19	50
G1/4A-P-05	G1/4	3~5	13.15	8.5	19/19	50
G3/8A-P-10	G3/8	6~10	16.66	15	22/22	50
G3/8A-P-07	G3/8	4~7	16.66	15	22/22	50
G1/2A-P-12	G1/2	6~12	20.95	10	27/24	50
G1/2A-P-10	G1/2	5.5~10	20.95	10	27/24	50
G1/2A-P-09	G1/2	5~9	20.95	10	27/24	50
G1/2AL-P-14	G1/2	8~14	20.95	15	30/27	50
G3/4A-P-18	G3/4	13~18	26.44	15	33/33	50
G3/4A-P-16	G3/4	10~16	26.44	15	33/33	50

E 型-90 度弯角尼龙电缆防水接头

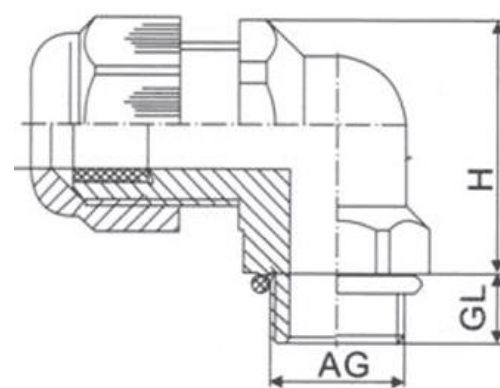
E-type - 90 degree nylon cable waterproof elbow

- 产品材料: 尼龙+EPDM 橡胶
- 防护等级: IP68
- 工作温度: $-40^{\circ} \sim 105^{\circ}$
- 阻燃等级: UL94V-2, 可定制 V0 级阻燃
- 产品性能: 90 度弯角设计, 便于设备 90 度引线
- 订购说明: 标配螺母, 黑色 B (RAL9005), 灰白色 G (RAL7035)

☆特别提示: 型号栏带*为非标产品, 可能无库存或只有少量库存

-
- **Materials:** Nylon + EPDM rubber
 - **Waterproof:** IP68
 - **Temperature:** $-40^{\circ} \sim 105^{\circ}$, Short-term 120°
 - **fire prevention:** UL94V-2, Customizable V0
 - **performance:** 90 degree bend design, convenient lead
 - **Ordering Information:** Standard nut, black (RAL9005) gray white (RAL7035) optional

☆Special tips: The * in front of the model is a special product. There may be no or only a small amount of stock. You need to order in advance



90 度弯角电缆接头/90 degree bend cable gland

蓝江产品型号	螺纹规格	电缆范围	螺纹长度	主体高度	扳手尺寸	包装数量
Product model	Thread size	Cable range	Thread length	Body height	Wrench Size	quantity
PN.	Metric	ϕ mm	GL mm	H mm	nut/cap mm	Pcs/bag
MG12A-E-08	M12×1.5	4~8	8	28	17/16	50
MG16A-E-10	M16×1.5	6~10	10	38	22/22	50
MG16A-E-07	M16×1.5	4~7	10	38	22/22	50
MG20A-E-14	M20×1.5	8~14	15	50	27/27	50
MG20A-E-11	M20×1.5	6~11	15	50	27/27	50
MG25A-E-18	M25×1.5	13~18	15	57	33/33	50
MG25A-E-16	M25×1.5	10~16	15	57	33/33	50
MG32A-E-25	M32×1.5	18~25	15	66	41/41	20
MG32A-E-22	M32×1.5	16~22	15	66	41/41	20
MG40A-E-32	M40×1.5	24~32	20	83	50/55	10
MG40A-E-25	M40×1.5	18~25	20	83	55/55	10
PG7A-E-08	PG7	4~8	8	28	19/16	50
PG9A-E-08	PG9	4~8	8	31	22/19	50
PG11A-E-10	PG11	6~10	9	36	24/22	50
PG13.5A-E-12	PG13.5	6~12	9	38	27/24	50
PG16A-E-14	PG16	8~14	10	43	30/27	50

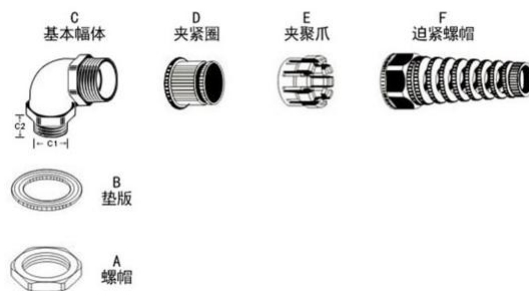
EP 型-90 度弯角防折弯尼龙接头

Stress release nylon waterproof elbow

- 产品材料: 尼龙+EPDM 橡胶
- 防护等级: IP68
- 工作温度: $-40^{\circ} \sim 105^{\circ}$
- 阻燃等级: UL94V-2, 可定制 V0 级阻燃
- 产品性能: 90 度弯角设计, 便于设备 90 度引线
- 订购说明: 标配螺母, 黑色 B(RAL9005), 灰白色 G(RAL7035)
- ☆特别提示: 型号栏带*为非标产品, 可能无库存或只有少量库存



- **Materials:** Nylon + EPDM rubber
- **Waterproof:** Within the clamping range, The waterproof grade can reach IP68
- **Temperature:** $-40^{\circ} \sim 105^{\circ}$, Short-term 120°
- **fire prevention:** UL94V-2, Customizable V0
- **performance:** 90 degree bend design, convenient lead
- **Ordering Information:** Standard nut, black (RAL9005) gray white (RAL7035) optional



90 度弯角防折弯电缆接头/90 degree Stress release nylon waterproof elbow

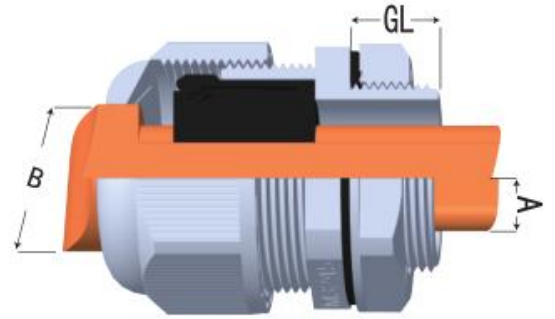
蓝江产品型号	螺纹规格	电缆范围	螺纹长度	主体高度	扳手尺寸	包装数量
Product model	Thread size	Cable range	Thread length	Body height	Wrench Size	quantity
PN.	Metric	ϕ mm	GL mm	H mm	nut/cap mm	Pcs/bag
MG12A-E-P-08	M12×1.5	4~8	8	28	17/16	50
MG16A-E-P-10	M16×1.5	6~10	10	38	22/22	50
MG16A-E-P-07	M16×1.5	4~7	10	38	22/22	50
MG20A-E-P-14	M20×1.5	8~14	15	50	27/27	50
MG20A-E-P-11	M20×1.5	6~11	15	50	27/27	50
MG25A-E-P-18	M25×1.5	13~18	15	57	33/33	50
MG25A-E-P-16	M25×1.5	10~16	15	57	33/33	50
MG32A-E-P-25	M32×1.5	18~25	15	66	41/41	20
MG32A-E-P-22	M32×1.5	16~22	15	66	41/41	20

扁孔型-尼龙电缆防水接头

Flat hole nylon waterproof cable gland

- 产品材料: 尼龙+EPDM 橡胶
- 防护等级: IP68
- 工作温度: $-40^{\circ} \sim 105^{\circ}$ 零件无损坏且保障设备正常运转
- 阻燃等级: UL94V-2, 可定制 V0 级阻燃
- 产品性能: 扁口设计, 常用于伴热带与扁电缆
- 订购说明: 标配螺母, 黑色 B (RAL9005), 灰白色 G (RAL7035) 可选后缀 ST 为短螺纹, 后缀 XA 为不带螺母, L 加长, S 缩小
- ☆特别提示: 型号栏带*为非标产品, 可能无库存或少量库存

- **Materials:** Nylon + EPDM rubber
- **Waterproof:** Within the clamping range, The waterproof grade can reach IP68
- **Temperature:** $-40^{\circ} \sim 105^{\circ}$, Short-term 120°
- **fire prevention:** UL94V-2, Customizable V0
- **performance:** Flat mouth design, commonly used in heat tracing band and flat cable
- **Ordering Information:** Standard nut, black (RAL9005) gray white (RAL7035) optional, Suffix st is short thread, suffix XA is without nut, l is lengthened, s is reduced and D is increased
- ☆**Special tips:** The * in front of the model is a special product. There may be no or only a small amount of stock. You need to order in advance



产品应用场合/Application occasion



扁孔电缆防水接头/Waterproof flat hole cable gland

蓝江产品型号	螺纹规格	电缆范围	螺纹直径	螺纹长度	扳手尺寸	包装
Product model	Thread size	Cable range	Thread diameter	Thread length	Wrench Size	quantity
PN.	Metric	Φ mm	AG mm	GL mm	nut/cap mm	Pcs/bag
MG10B-0306	M10×1.5	3*6	10	8	15/12	50
MG20A-0814	M20×1.5	8*14	20	15	27/27	50
MG20A-0410	M20×1.5	4*10	20	15	27/27	50
MG20B-0509	M20×1.5	5*9	20	15	27/27	50
MG20AS-0712	M20×1.5	7*12	20	10	27/24	50
MG20AS-0508	M20×1.5	5*8	20	10	27/24	50
MG22A-0814	M22×1.5	8*14	22	10	29/27	50
MG22A-0410	M22×1.5	4*10	22	10	29/27	50
MG25A-0614	M25×1.5	6*14	25	15	33/33	50
MG32A-0519	M32×1.5	5*9	32	15	41/41	20
MG40A-1230	M40×1.5	12*30	40	20	50/50	10
MG40A-1232	M40×1.5	12*32	40	20	50/50	10
MG50A-1334	M50×1.5	12*34	50	22	62/62	10
MG63A-1641	M63×1.5	16*41	63	25	75/78	10
PG13.5A-0712	PG13.5	7*12	20.4	10	27/24	50
PG13.5A-0508	PG13.5	5*8	20.4	10	27/24	50
PG16A-0814	PG16	8*14	22.5	11	30/27	50
PG16A-0410	PG16	4*10	22.5	11	30/27	50
PG21A-0614	PG21	6*14	28.3	12	36/33	50
PG29A-0519	PG29	5*9	37	12	46/41	20
PG36A-1230	PG36	12*30	47	15	57/50	10
PG36A-1232	PG36	12*32	47	15	57/50	10
PG42A-1334	PG42	12*34	54	15.5	64/62	10
PG48A-1641	PG48	16*41	59.3	16	75/78	10
G1/2A-0712	G1/2	7*12	20.95	10	27/24	50
G1/2A-0508	G1/2	5*8	20.95	10	27/24	50
G1/2AL-0814	G1/2	8*14	20.95	15	30/27	50
G1/2AL-0410	G1/2	4*10	20.95	15	30/27	50
G3/4A-0614	G3/4	6*14	26.44	15	33/33	50
*G1A-0519	G1	5*9	33.2	15	42/41	20
G1-1/4A-1230	G1-1/4	12*30	41.9	16	51/50	10
G1-1/4A-1232	G1-1/4	12*32	41.9	16	51/50	10
G1-1/2A-1334	G1-1/2	12*34	47.8	22	62/62	10
G2A-1641	G2	16*41	59.6	25	75/75	10

F 型-内牙尼龙电缆防水接头

Type F - Nylon waterproof cable gland with internal teeth

- 产品材料: 尼龙+EPDM 橡胶
- 防护等级: IP68
- 工作温度: $-40^{\circ} \sim 105^{\circ}$
- 阻燃等级: UL94V-2, 可定制 V0 级阻燃
- 产品性能: 符合 ROHS2.0 标准, 欧盟 CE, IP68 防护
- 订购说明: 标配螺母, 黑色 B (RAL9005), 灰白色 G (RAL7035) 后缀 ST 为短螺纹, 后缀 XA 为不带螺母, L 加长, S 缩小, ☆特别提示: 型号栏带*为非标产品, 可能无库存或只有少量库存



- **Materials:** Nylon + EPDM rubber
- **Waterproof:** IP68
- **Temperature:** $-40^{\circ} \sim 105^{\circ}$, Short-term 120°
- **fire prevention:** UL94V-2, Customizable V0
- **performance:** Comply with rohs2 0 standard, EU CE, IP68
- **Ordering Information:** Standard nut, black (RAL9005) gray white (RAL7035) optional, Suffix st is short thread, suffix XA is without nut, l is lengthened, s is reduced

公制 M 螺纹/Metric thread

蓝江产品型号	螺纹规格	电缆范围	内螺纹深度	扳手尺寸	包装数量
Product model	Thread size	Cable range	Thread length	Wrench Size	quantity
PN.	Metric	ϕ mm	GL mm	nut/cap mm	Pcs/bag
MG20F-10	M20×1.5	6~10	17	22	50
MG20F-07	M20×1.5	4~7	17	22	50
MG25F-14	M25×1.5	8~14	17	26	50
MG25F-12	M25×1.5	7~12	17	26	50
MG20F-H2-04	M20×1.5	2~4	17	22	50
MG20F-H3-04	M20×1.5	2~4	17	22	50
MG20F-H4-03	M20×1.5	1.5~3	17	22	50
MG20F-H6-02	M20×1.5	1~2.1	17	22	50
MG20F-H8-02	M20×1.5	1~2.1	17	22	50
MG25F-H2-06	M25×1.5	4~6	17	26	50
MG25F-H3-05	M25×1.5	3~5	17	26	50
MG25F-H4-05	M25×1.5	3~5	17	26	50
MG25F-H5-03	M25×1.5	1.5~3	17	26	50
MG25F-H6-03	M25×1.5	1.5~3	17	26	50

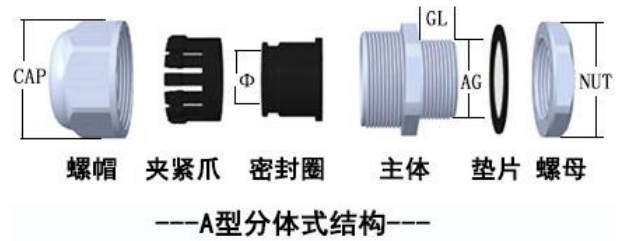
HT 型-耐高温尼龙电缆防水接头

Type HT - high temperature resistant nylon cable gland

- 产品材料: 尼龙+硅橡胶
- 防护等级: IP68
- 工作温度: $-20^{\circ} \sim 200^{\circ}$
- 阻燃等级: UL94V-2, 可定制 V0 级阻燃
- 产品性能: 符合 ROHS2.0 标准, 欧盟 CE, IP68 防护
- 订购说明: 标配螺母, 黑色 B(RAL9005), 灰白色 G(RAL7035)
后缀 ST 为短螺纹, 后缀 XA 为不带螺母, L 加长, S 缩小
- ☆特别提示: 型号栏带*为非标产品, 可能无库存或只有少量库存



- **Materials:** Nylon + silicon rubber
- **Waterproof:** IP68
- **Temperature:** $-20^{\circ} \sim 200^{\circ}$
- **fire prevention:** UL94V-2, Customizable V0
- **performance:** rohs2 0 standard, EU CE, IP68
- **Ordering Information:** Standard nut, black (RAL9005) gray white (RAL7035) optional, Suffix st is short thread, suffix XA is without nut, l is lengthened, S is reduced



产品应用/ Product application



耐高温电缆接头手册/High temperature cable gland table

蓝江产品型号	螺纹规格	电缆范围	螺纹直径	螺纹长度	扳手尺寸	包装
Product model	Thread size	Cable range	Thread diameter	Thread length	Wrench Size	quantity
PN.	Metric	φ mm	AG mm	GL mm	nut/cap mm	Pcs/bag
MG12A-08-HT	M12×1.5	4~8	12	8.5	18/19	50
MG16A-10-HT	M16×1.5	6~10	16	15	22/22	50
MG20A-14-HT	M20×1.5	8~14	20	15	27/27	50
MG20A-12-HT	M20×1.5	6~12	20	10	27/24	50
MG22A-14-HT	M22×1.5	8~14	22	10	29/27	50
MG25A-18-HT	M25×1.5	13~18	25	15	33/33	50
MG25A-16-HT	M25×1.5	10~16	25	15	33/33	50
MG32A-25-HT	M32×1.5	18~25	32	15	41/41	20
MG32A-22-HT	M32×1.5	16~22	32	15	41/41	20
MG40A-32-HT	M40×1.5	24~32	40	20	50/50	10
MG50A-41-HT	M50×1.5	31~41	50	22	62/62	10
MG63A-51-HT	M63×1.5	44~51	63	25	75/78	10
PG7A-08-HT	PG7	4~8	12.5	8.5	17/19	50
PG9A-08-HT	PG9	4~8	15.2	8.5	22/19	50
PG11A-10-HT	PG11	6~10	18.6	10	22/22	50
PG13.5A-12-HT	PG13.5	6~12	20.4	10	27/24	50
PG16A-14-HT	PG16	8~14	22.5	11	30/27	50
PG21A-18-HT	PG21	13~18	28.3	12	36/33	50
PG21A-16-HT	PG21	10~16	28.3	12	36/33	50
PG29A-25-HT	PG29	18~25	37	12	46/41	20
PG36A-32-HT	PG36	24~32	47	15	57/50	10
PG42A-41-HT	PG42	31~41	54	15.5	64/62	10
PG48A-51-HT	PG48	44~51	59.3	16	75/78	10
G1/4A-08-HT	G1/4	4~8	13.15	8.5	19/19	50
G3/8A-10-HT	G3/8	6~10	16.66	15	22/22	50
G1/2A-12-HT	G1/2	6~12	20.95	10	27/24	50
G1/2AL-14-HT	G1/2	8~14	20.95	15	30/27	50
G3/4A-18-HT	G3/4	13~18	26.44	15	33/33	50
G3/4A-16-HT	G3/4	10~16	26.44	15	33/33	50
*G1A-25-HT	G1	18~25	33.2	15	42/41	20
G1-1/4A-32-HT	G1-1/4	24~32	41.9	16	51/50	10
G1-1/2A-41-HT	G1-1/2	31~41	47.8	22	62/62	10
G2A-51-HT	G2	44~51	59.6	25	75/75	10

V0 型-阻燃尼龙电缆防水接头

Type HT - high temperature resistant nylon cable gland

- 产品材料: 尼龙+EPDM 橡胶
- 防护等级: IP68
- 工作温度: $-40^{\circ} \sim 105^{\circ}$
- 阻燃等级: UL94V-0
- 产品性能: 符合 ROHS2.0 标准, 欧盟 CE, IP68 防护
- 订购说明: 标配螺母, 黑色 B (RAL9005), 灰白色 G (RAL7035) 后缀 ST 为短螺纹, 后缀 XA 为不带螺母, L 加长, S 缩小

- **Materials:** Nylon + EPDM rubber
- **Waterproof:** IP68
- **Temperature:** $-40^{\circ} \sim 105^{\circ}$
- **fire prevention:** UL94V-0
- **performance:** rohs2 0 standard, EU CE, IP68
- **Ordering Information:** Standard nut, black (RAL9005) gray white (RAL7035) optional, Suffix st is short thread, suffix XA is without nut, l is lengthened, s is reduced



---A型分体式结构---

产品应用 / Product application



耐高温电缆接头手册/Fireproof nylon cable gland table

蓝江产品型号	螺纹规格	电缆范围	螺纹直径	螺纹长度	扳手尺寸	包装
Product model	Thread size	Cable range	Thread diameter	Thread length	Wrench Size	quantity
PN.	Metric	φ mm	AG mm	GL mm	nut/cap mm	Pcs/bag
MG12A-08-V0	M12×1.5	4~8	12	8.5	18/19	50
MG16A-10-V0	M16×1.5	6~10	16	15	22/22	50
MG20A-14-V0	M20×1.5	8~14	20	15	27/27	50
MG20A-12-V0	M20×1.5	6~12	20	10	27/24	50
MG22A-14-V0	M22×1.5	8~14	22	10	29/27	50
MG25A-18-V0	M25×1.5	13~18	25	15	33/33	50
MG25A-16-V0	M25×1.5	10~16	25	15	33/33	50
MG32A-25-V0	M32×1.5	18~25	32	15	41/41	20
MG32A-22-V0	M32×1.5	16~22	32	15	41/41	20
MG40A-32-V0	M40×1.5	24~32	40	20	50/50	10
MG50A-41-V0	M50×1.5	31~41	50	22	62/62	10
MG63A-51-V0	M63×1.5	44~51	63	25	75/78	10
PG7A-08-V0	PG7	4~8	12.5	8.5	17/19	50
PG9A-08-V0	PG9	4~8	15.2	8.5	22/19	50
PG11A-10-V0	PG11	6~10	18.6	10	22/22	50
PG13.5A-12-V0	PG13.5	6~12	20.4	10	27/24	50
PG16A-14-V0	PG16	8~14	22.5	11	30/27	50
PG21A-18-V0	PG21	13~18	28.3	12	36/33	50
PG21A-16-V0	PG21	10~16	28.3	12	36/33	50
PG29A-25-V0	PG29	18~25	37	12	46/41	20
PG36A-32-V0	PG36	24~32	47	15	57/50	10
PG42A-41-V0	PG42	31~41	54	15.5	64/62	10
PG48A-51-V0	PG48	44~51	59.3	16	75/78	10
G1/4A-08-V0	G1/4	4~8	13.15	8.5	19/19	50
G3/8A-10-V0	G3/8	6~10	16.66	15	22/22	50
G1/2A-12-V0	G1/2	6~12	20.95	10	27/24	50
G1/2AL-14-V0	G1/2	8~14	20.95	15	30/27	50
G3/4A-18-V0	G3/4	13~18	26.44	15	33/33	50
G3/4A-16-V0	G3/4	10~16	26.44	15	33/33	50
*G1A-25-V0	G1	18~25	33.2	15	42/41	20
G1-1/4A-32-V0	G1-1/4	24~32	41.9	16	51/50	10
G1-1/2A-41-V0	G1-1/2	31~41	47.8	22	62/62	10
G2A-51-V0	G2	44~51	59.6	25	75/75	10