

## 90 度弯角尼龙电缆防水接头

- 产品材料:** 尼龙+EPDM 橡胶
- 防护等级:** IP68
- 工作温度:** -40° ~ 105°,短时可达 120°
- 阻燃等级:** UL94V-2, 可定制 V0 级阻燃
- 产品性能:** 符合 ROHS2.0, 欧盟 CE, IP68 防护
- 订购说明:**

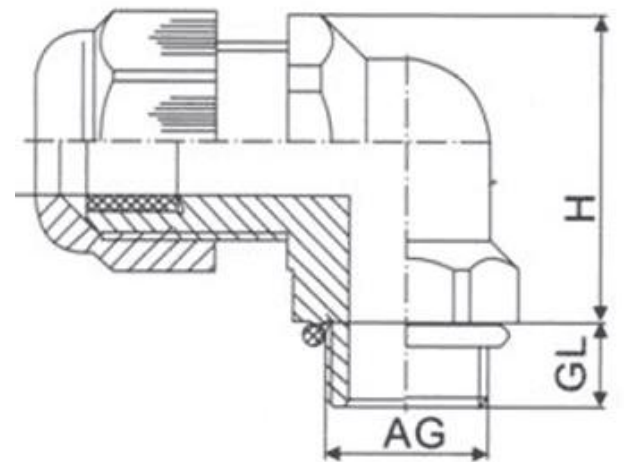
- 1) 标准五件套: 螺母 (NPT 无) , 密封垫片, 主体, 夹紧圈, 螺帽;
- 2) 颜色请备注, 黑色后缀加 B, 灰白色后缀加 G;
- 3) 产品价格为 (人民币: 元/套, 美元: USD/set) 。



## 90 ° nylon cable waterproof elbow gland

- Materials:**Nylon + EPDM rubber
- Waterproof:**IP68
- Temperature:** -40° ~ 105°,Short-term 120°
- fire prevention:** UL94V-2,Customizable V0
- performance:** ROHS2 0, EU CE, IP68
- Ordering Information:**

- 1) Standard five piece set: nut (NPT NO) , sealing gasket, main body, clamping ring, nut;
- 2) Please note the color, black suffix plus B, gray suffix plus G;
- 3) The product price is (RMB: yuan/set, USD: USD/set).



### 产品图片展示/Product picture display



## 产品尺寸表/ Product size

蓝江产品型号	螺纹规格	电缆范围	螺纹长度	主体高度	扳手尺寸
Product model	Thread size	Cable range	Thread length	Body height	Wrench Size
PN.	Metric	φ mm	GL mm	H mm	nut/cap mm
MG12A-E-08	M12×1.5	4~8	8	28	17/16
MG16A-E-10	M16×1.5	6~10	10	38	22/22
MG16A-E-07	M16×1.5	4~7	10	38	22/22
MG20A-E-14	M20×1.5	8~14	15	50	27/27
MG20A-E-11	M20×1.5	6~11	15	50	27/27
MG25A-E-18	M25×1.5	13~18	15	57	33/33
MG25A-E-16	M25×1.5	10~16	15	57	33/33
MG32A-E-25	M32×1.5	18~25	15	66	41/41
MG32A-E-22	M32×1.5	16~22	15	66	41/41
MG40A-E-32	M40×1.5	24~32	20	83	50/55
MG40A-E-25	M40×1.5	18~25	20	83	55/55
PG7A-E-08	PG7	4~8	8	28	19/16
PG9A-E-08	PG9	4~8	8	31	22/19
PG11A-E-10	PG11	6~10	9	36	24/22
PG13.5A-E-12	PG13.5	6~12	9	38	27/24
PG16A-E-14	PG16	8~14	10	43	30/27
PG21B-E-18	PG21	13~18	12	57	33/33
PG29B-E-25	PG29	18~25	12	66	41/41

## 90 度弯角防折弯尼龙防水接头

- 产品材料:** 尼龙+EPDM 橡胶
- 防护等级:** IP68
- 工作温度:** -40° ~ 105°,短时可达 120°
- 阻燃等级:** UL94V-2, 可定制 V0 级阻燃
- 产品性能:** 符合 ROHS2.0, 欧盟 CE, IP68 防护
- 订购说明:**

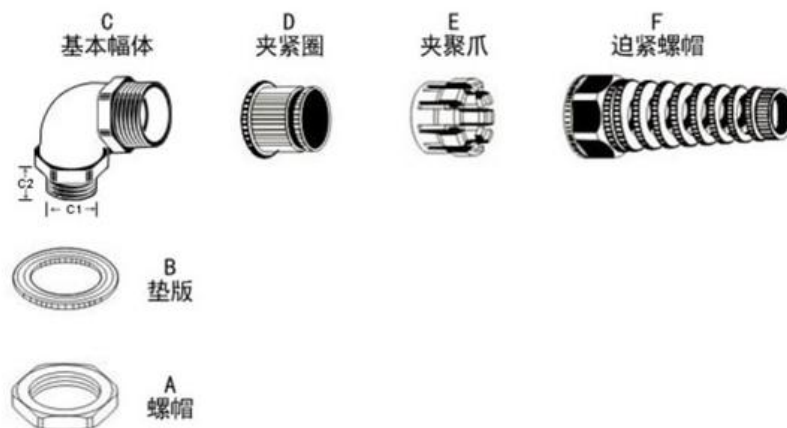
- 1) 标准五件套: 螺母 (NPT 无) , 密封垫片, 主体, 夹紧圈, 螺帽;
- 2) 颜色请备注, 黑色后缀加 B, 灰白色后缀加 G;
- 3) 产品价格为 (人民币: 元/套, 美元: USD/set) 。



## 90 ° stress relief elbow nylon cable gland

- Materials:** Nylon + EPDM rubber
- Waterproof:** IP68
- Temperature:** -40° ~ 105°, Short-term 120°
- fire prevention:** UL94V-2, Customizable V0
- performance:** ROHS2 0, EU CE, IP68
- Ordering Information:**

- 1) Standard five piece set: nut (NPT NO) , sealing gasket, main body, clamping ring, nut;
- 2) Please note the color, black suffix plus B, gray suffix plus G;
- 3) The product price is (RMB: yuan/set, USD: USD/set).



### 产品图片展示/Product picture display



## 产品尺寸表/ Product size

蓝江产品型号	螺纹规格	电缆范围	螺纹长度	主体高度	扳手尺寸
Product modE-PI	Thread size	Cable range	Thread length	Body height	Wrench Size
PN.	Metric	φ mm	GL mm	H mm	nut/cap mm
MG12A-E-P-08	M12×1.5	4~8	8	28	17/16
MG16A-E-P-10	M16×1.5	6~10	10	38	22/22
MG16A-E-P-07	M16×1.5	4~7	10	38	22/22
MG20A-E-P-14	M20×1.5	8~14	15	50	27/27
MG20A-E-P-11	M20×1.5	6~11	15	50	27/27
MG25A-E-P-18	M25×1.5	13~18	15	57	33/33
MG25A-E-P-16	M25×1.5	10~16	15	57	33/33
MG32A-E-P-25	M32×1.5	18~25	15	66	41/41
MG32A-E-P-22	M32×1.5	16~22	15	66	41/41