

JSK 型-双扣包塑金属软管

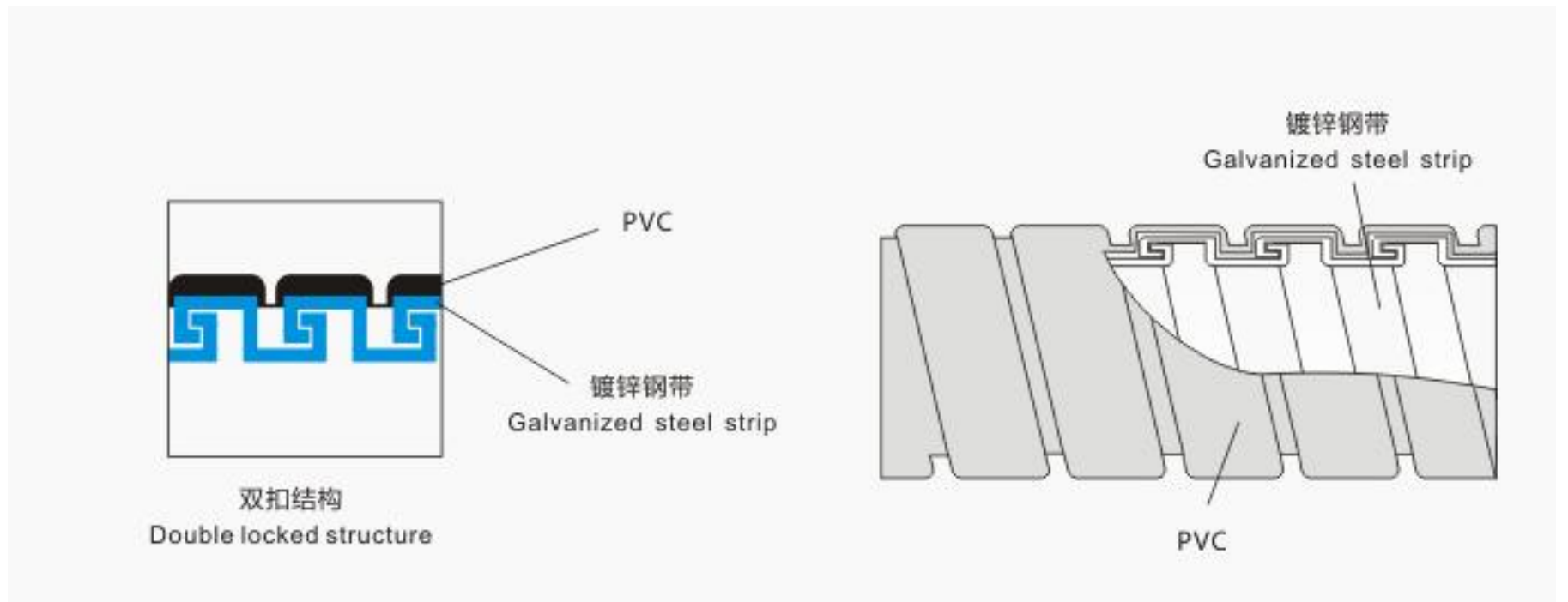
Double-button plastic coated metal conduit

- 产品材料: 热镀锌, 环保 PVC 包塑
- 产品颜色: 黑色 B, 灰色 P
- 工作温度: -40° ~ 105°
- 产品特性: 双扣结构, 高强度拉伸与弯曲性能



- Product material: hot-dip galvanized, environment
- Product color: black B, gray P
- Working temperature: - 40 °~105 °
- Product characteristics: double-button structure, high strength tensile and bending properties

产品结构/product mix



产品选型/Product size

蓝江双扣包塑软管	公制规格	英制规格	外径及公差	包装
Product model	Metric	Imperial	Adapter tube	quantity
PN.	φ±	G	φ mm	Pcs/bag
JSK-10B	10±0.3	5/16"	14.2±0.3	100
JSK-13B	13±0.35	3/8"	16.5±0.35	100
JSK-16B	16±0.4	1/2"	20.5±0.4	100
JSK-20B	20±0.4	3/4"	25.7±0.4	50
JSK-25B	25±0.45	1"	31.7±0.45	50
JSK-32B	32±0.5	1-1/4"	39.5±0.5	25
JSK-38B	38±0.6	1-1/2"	46.5±0.6	25
JSK-51B	51±0.8	2"	60±0.8	20

JSHK 型-双扣金属软管

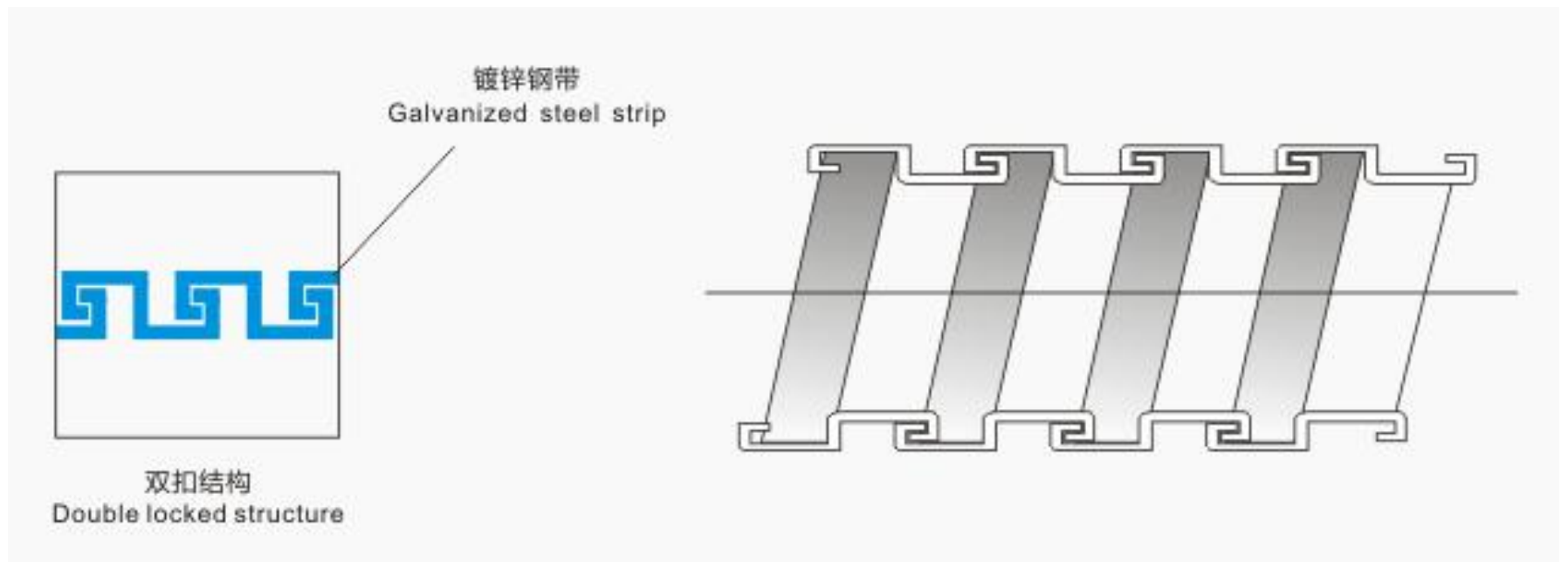
Double-button metal conduit

- 产品材料：热镀锌钢带
- 产品颜色：镀锌本色
- 工作温度：-40°~105°
- 产品特性：双扣结构，高强度拉伸与弯曲性能



- Product material: hot-dip galvanized steel strip
- Product color: galvanized natural color
- Working temperature: - 40 °~105 °
- Product characteristics: double-button structure, high strength tensile and bending properties

产品结构/product mix



产品选型/Product size

蓝江双扣镀锌软管	公制规格	英制规格	外径及公差	包装
Product model	Metric	Imperial	Adapter tube	quantity
PN.	φ	G	φ mm	Pcs/bag
JSHK-10	10±0.3	5/16"	13.5±0.3	100
JSHK-13	13±0.35	3/8"	15.5±0.35	100
JSHK-16	16±0.4	1/2"	20±0.4	100
JSHK-20	20±0.4	3/4"	24.3±0.4	50
JSHK-25	25±0.45	1"	30.3±0.45	50
JSHK-32	32±0.5	1-1/4"	38±0.5	25
JSHK-38	38±0.6	1-1/2"	45±0.6	25
JSHK-51	51±0.8	2"	58±0.8	20